

**IMPORTANT:  
THESE INSTRUCTIONS ARE TO  
REMAIN WITH THE  
HOMEOWNER**

**FOR YOUR SAFETY**

**WARNING:** If the information in this manual is not followed exactly, a fire or explosion may result causing property damage, personal injury or loss of life.

-- Do not store or use gasoline or other flammable vapors and liquids in the vicinity of this or any other appliance.

**-- WHAT TO DO IF YOU SMELL GAS**

- Do not try to light any appliance.
- Do not touch any electrical switch; do not use any phone in your building.
- Immediately call your gas supplier from a neighbour's phone. Follow the gas supplier's instructions.
- If you cannot reach your gas supplier, call the fire department.

--Installation and service must be performed by a qualified installer, service agency or the gas supplier.

This appliance may be installed in an aftermarket permanently located, manufactured (mobile) home, where not prohibited by local codes.

This appliance is only for use with the type of gas indicated on the rating plate. This appliance is not convertible for use with other gases, unless a certified kit is used.

**WARNOCK HERSEY**



**PACIFIC  
ENERGY**



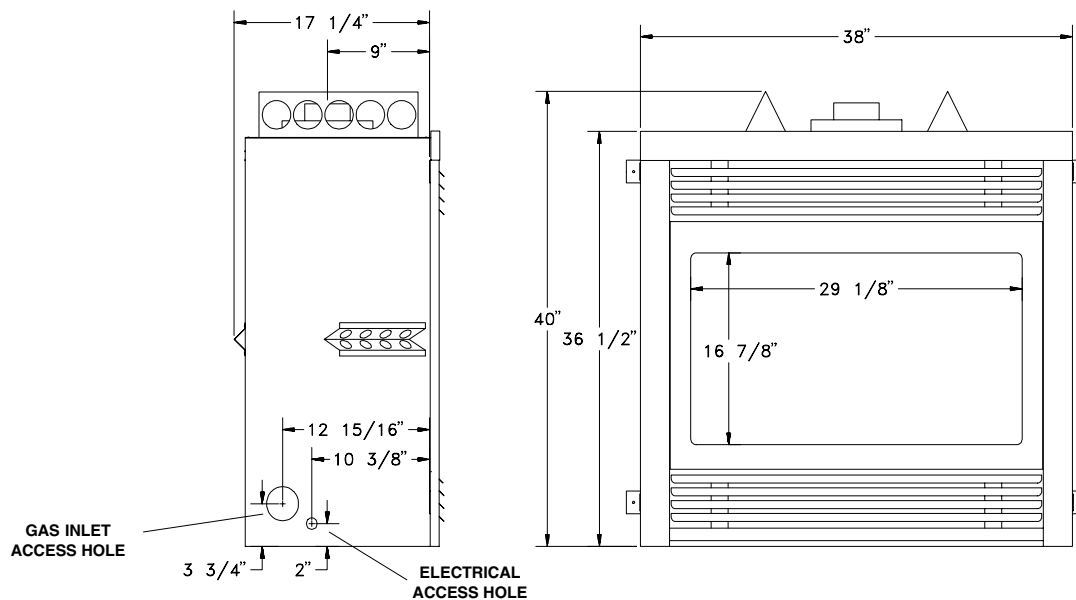
*The Estate*

**SERIES A  
DIRECT VENT FIREPLACE**

**INSTALLATION  
AND OPERATING  
INSTRUCTIONS**

# Contents

CAUTION .....	3
SAFETY .....	3
MAINTENANCE .....	3
INSTALLATION REQUIREMENTS .....	4
FRAMING .....	5
VENTING .....	6
VENT CONNECTION .....	9
VENT EXTENSION .....	10
VENT TERMINAL INSTALLATION .....	11
ROOF VENT TERMINAL INSTALLATION .....	12
OPTIONAL VENTING .....	14
OPTIONAL SNORKEL VENT TERMINAL .....	16
MANUFACTURED (MOBILE) HOME .....	17
GAS SUPPLY .....	17
WALL SWITCH OR THERMOSTAT .....	17
BURNER INSTALLATION .....	18
BRICK PANELS INSTALLATION .....	18
LOG SET ASSEMBLY .....	19
GLOWING EMBERS .....	20
OPTIONAL BLOWER .....	21
FIRST FIRE .....	23
OPERATING .....	23
FLAME ADJUSTMENT .....	23
REPLACEMENT PARTS .....	24
APPENDIX A .....	26
Louver Installation Guide .....	26
Overlay Trim Installation Guide .....	27
Optional Front Facing Trim Installation Guide .....	28
Mantel Shield Installation Guide .....	30
Wall Termination Kit .....	31
Roof Termination Kit .....	32
5' Vent Pipe Kit .....	33
10' Vent Pipe Kit .....	34
Safety Label .....	35



## CAUTION

**FOR YOUR SAFETY** - Do not install or operate your Pacific Energy Gas Stove without first reading and understanding this manual. Any installation or operational deviation from the following instructions voids the Pacific Energy Gas Stove Warranty and may prove hazardous.

This appliance and its individual shutoff valve must be disconnected from gas supply piping system during any pressure testing of that system at test pressures in excess of 1/2 psig. (3.5 kPa)

This appliance must be isolated from the gas supply piping system by closing its individual manual shutoff valve during any pressure testing of the gas supply piping system at test pressures equal to or less than 1/2 psig. (3.5 kPa)

Note: When lit for the first time, the appliance will emit a slight odour for a couple of hours. This is due to the curing of paints, sealants and lubricants used in the manufacturing process. This condition is temporary. Open doors and windows to ventilate area. Smoke and fumes caused by the curing process may cause discomfort to some individuals.

## SAFETY

**Due to high temperatures, this gas appliance should be located out of traffic and away from furniture and draperies.**

**Children and adults should be alerted to the hazards of high surface temperature and should stay away to avoid burns or clothing ignition.**

**Young children should be carefully supervised when they are in the same room as the appliance.**

**Clothing or other flammable material should not be placed on or near the appliance.**

**Any grill, panel or door removed for servicing the unit must be replaced prior to operating. Failure to do so may create a hazardous condition.**

**Installation and repair should be done by a qualified service person. The appliance should be inspected before use and at least annually by a professional service person. More frequent cleaning may be required due to excessive lint from carpeting, bedding material, etc. It is imperative that control compartments, burners and circulating air passageways of the appliance be kept clean.**

**It is Pacific Energy's policy that no responsibility is assumed by the Company or by any of its employees or representatives for any damages caused by an inoperable, inadequate, or unsafe condition which is the result, either directly or indirectly, of any improper operation or installation procedures.**

## MAINTENANCE

**Caution:** Turn off gas and electrical power supply and allow ample time for unit to cool before servicing appliance. It is recommended that this appliance and venting should be inspected at least once a year by a qualified service person.

Do not use this heater if any part has been under water. Immediately call a qualified service technician to inspect the heater and to replace any part of the control system and any gas control which has been under water.

### Glass Panel:

**Warning:** Do not operate appliance with glass panel removed, cracked or broken. Replacement of the glass panel should be done by a licensed or qualified service person.

Do not strike or otherwise impact the glass in anyway that may cause it to break. If the glass becomes cracked or broken, it must be replaced before using the fireplace. Replacement glass can be obtained from your nearest Pacific Energy dealer. The size required is 31 1/4" x 19" x 5mm. Use ceramic glass only. **Do not substitute with any other type.**

To remove broken glass, fold down the front bottom louver to access the screw retaining the window trim overlay. Remove the screw and swing the bottom out to clear. Lift to disengage from the top and remove. Place on a smooth surface to avoid scratching. Disengage the over-center latches by pulling each lever down and forward. Grasp the sides of the frame and swing the bottom out to clear. Lift up and forward to disengage from the top. Place the glass frame assembly in a safe place to avoid damage. Remove all particles of glass. Be careful as they are very sharp. Install new glass complete with gasket. Replace frame and screws.

### Annual Inspection:

- Clean louvers and air passage ways of excessive lint buildup from carpeting, bedding material, etc. The flow of combustion and ventilation air must not be obstructed.
- Remove glass panel and log set. Inspect logs and burner assembly for lint and soot buildup. If excessive buildup of soot is present, have a qualified service person inspect and adjust unit for proper combustion. Clean logs and burner with a vacuum cleaner, paying close attention to burner ports.
- Check the pilot system for proper flame size and operation. Clean pilot free of lint and dust. (See Fig. #1)
- Check that the vent pipe and vent terminal are open and free from blockage or debris. If the venting is disassembled for cleaning, it must be properly assembled and resealed. Refer to VENTING section for proper procedure.
- Check glass panel gasket, replace if necessary. It is important that the glass seal be maintained in good condition

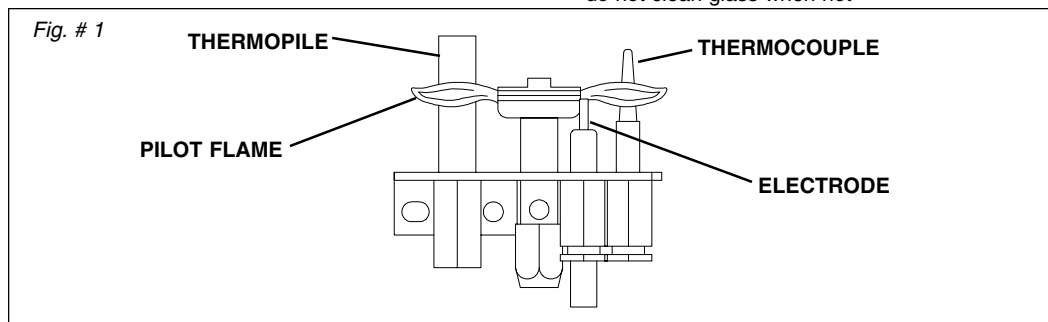
**Note:** The appliance area must be kept clear and free from combustible materials, gasoline and other flammable vapours and liquids.

### Periodically:

- Viewing glass may be cleaned with glass cleaner.
- Exterior finish may be cleaned with soap and water.

### Caution:

- do not use abrasive cleaners on glass or any other part of the fireplace.
- do not clean glass when hot



## INSTALLATION REQUIREMENTS

The Estate Fireplace installation and venting must conform to the current CAN/CGA-B149 installation code (in Canada) or the National Fuel Gas Code, ANSI Z223.1 -1988 (in the USA), and approved per local codes. Only qualified (licensed or trained) personnel should install this product.

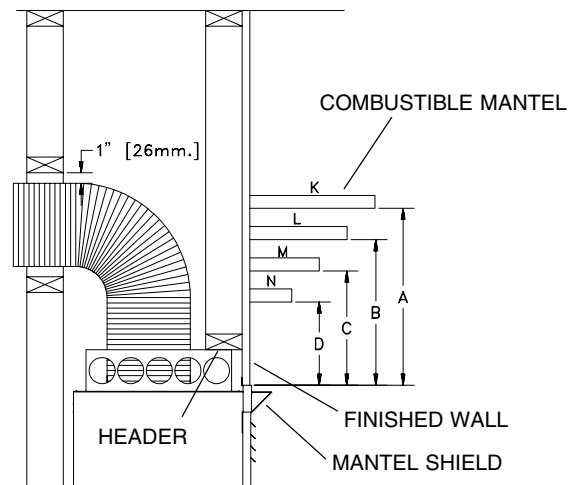
The Estate Fireplace is designed to be framed at zero clearance to combustible material with conventional lumber. Ensure framing dimensions are maintained during construction.

### Minimum Clearances to Combustibles:

Side standoffs .....	0 in.	(0 mm)
Back standoffs .....	0 in.	(0 mm)
Top standoffs .....	0 in.	(0 mm)
Adjacent sidewall: .....	6 in.	(152 mm)
Ceiling to appliance: .....	35 1/2 in.	(902 mm)
Mantel to appliance: .....	17 in.	(432 mm)
Maximum mantel extension: .....	12 in.	(305 mm)
With Mantel Shield .....	See Figure # 3	
Mantel support (3 1/2" wide max.) .....	0 in.	(0 mm)
Pacific Energy Vent pipe .....	1 in.	(25 mm)
Simpson Dura-Vent GS pipe .....	1-3/4 in.	(45 mm)

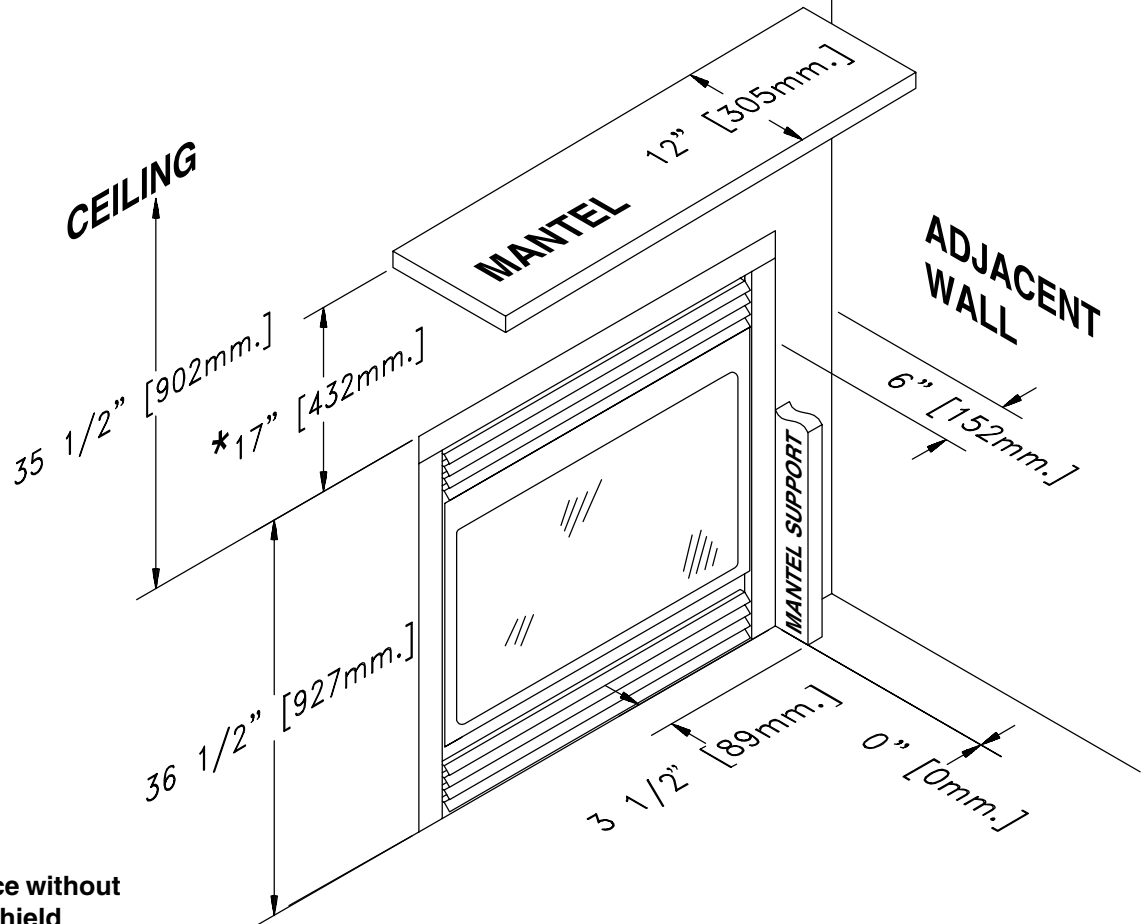
Fig. # 3

### MANTEL CLEARANCES WITH MANTEL SHIELD



Ref.	Mantel Width	Ref.	Clearance
K	12" (305 mm)	A	17" (432 mm)
L	9 1/4" (235 mm)	B	14" (356 mm)
M	6 5/8" (168 mm)	C	11" (279 mm)
N	4" (102 mm)	D	8" (203 mm)

Fig. # 2



\* Clearance without mantel shield

## FRAMING

In planning the installation for the Estate Fireplace, it is necessary to determine where the unit is to be installed, location of vent system and where gas supply piping may be plumbed. It may be installed into an existing wall, a corner, a built-in wall or a wall projection. (see Fig. # 5) Due to high temperatures, do not locate this appliance in areas of high traffic or near furniture or draperies.

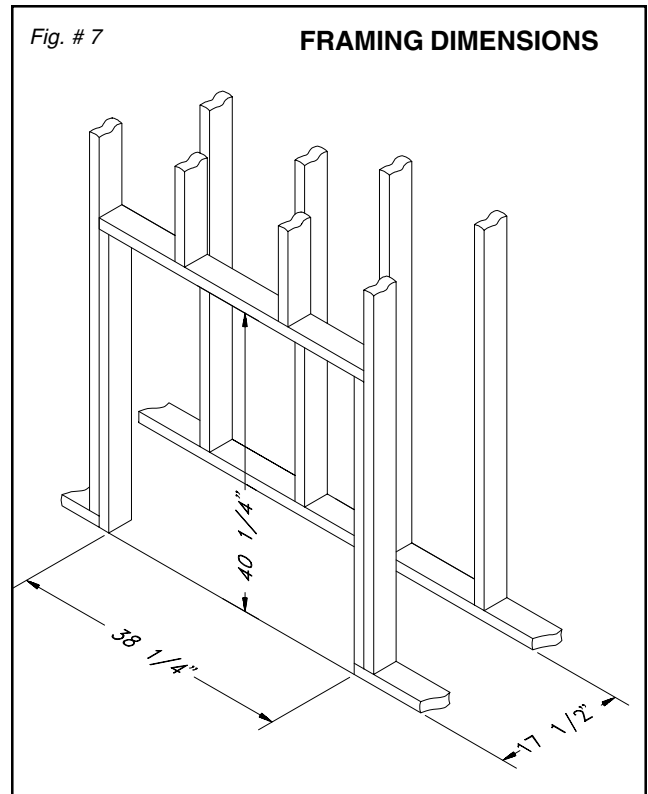
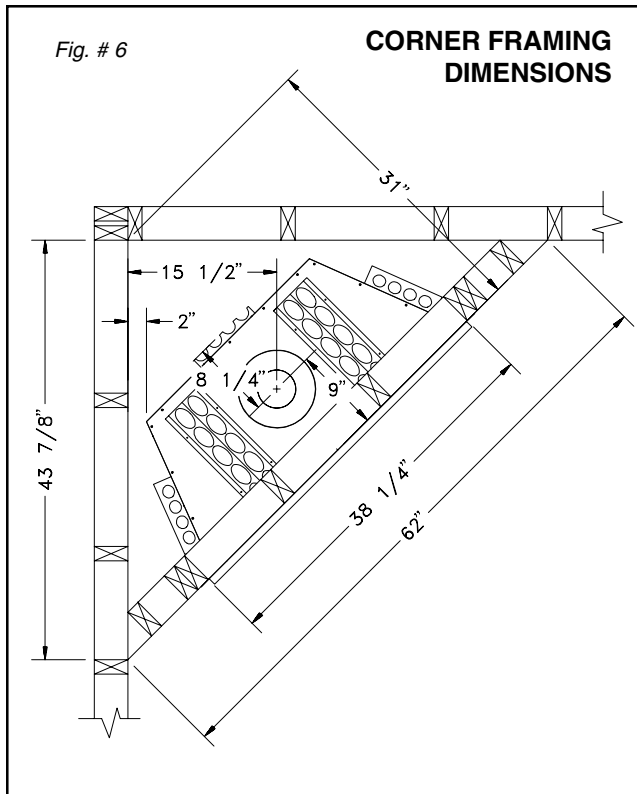
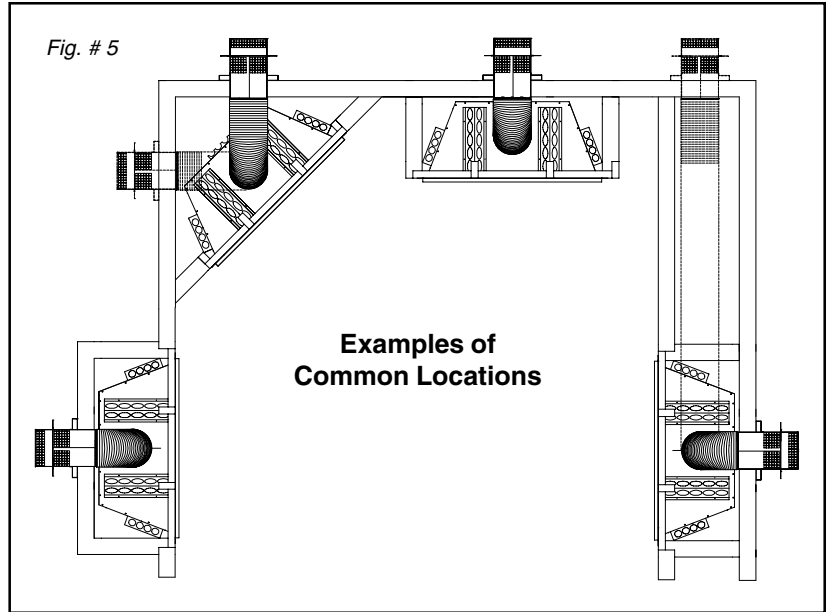
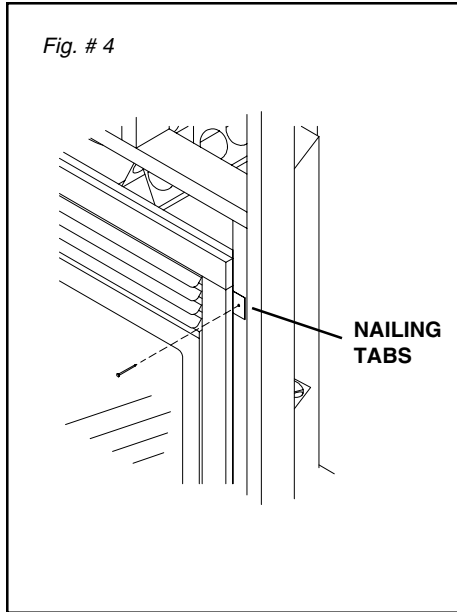
Once the final location has been determined, frame a minimum opening of 38-1/4 inches wide, 40-1/4 inches high and 17-1/2 inches deep with conventional 2 x 4 lumber. (see Fig. # 6 and # 7) It may be preferred to frame the fireplace after it is positioned and the vent

system is installed. Heavier construction may be required for some installations, consult local building codes for specific requirements. Ensure framing dimensions are maintained during construction.

Bend out the two nailing tabs on each side and secure the fireplace to framing with screws or nails. (see Fig. # 4) The tabs will allow for a 3/4 inch thick finishing wall. The wall may be finished up to the fireplace facing with combustible material. (see Fig. # 3)

The minimum clearances from the appliance to combustible surfaces are shown on Fig. # 2 and # 3. Adequate clearances around air openings and combustion air supplies are required.

**Hearth Extension:** The Estate fireplace is designed to be installed on a combustible floor. A noncombustible hearth extension is not required for this model. If one is desired, the hearth extension must be flush to the bottom of the fireplace.



## VENTING

Before installing venting for this unit, the installer should read these instructions to insure that the proper vent configuration has been selected.

Use only Pacific Energy vent kits #:

- ESTD.WALKIT - Wall Termination Kit
- ESTD.ROTKIT - Roof Termination Kit
- ESTD.VP05 - 5' Vent Pipe Kit
- ESTD.VP10 - 10' Vent Pipe Kit

Standard roof flashing or flashing listed below may be used.

- ESTD.ROFLAT - Flat Roof Flashing (flat roof)
- ESTD.ROADJ - Adjustable Roof Flashing (1/12 to 7/12 pitch)
- ESTD.ROSTP - Steep Roof Flashing (8/12 to 12/12 pitch)

Vent system components approved for use with the Estate Fireplace are shown in Figure # 9 and Appendix A. The Estate Fireplace is also tested and certified for use with SIMPSON DURA-VENT DIRECT VENT GS pipe (see Optional Venting section).

**NO OTHER VENTING SYSTEMS OR COMPONENTS MAY BE USED.**

Various combinations of vertical and horizontal runs may be used. Refer to Figure # 8a and 8b for details. For optimum performance and flame appearance, keep the vent length to a minimum. Connections between each vent system component must be tightly joined and sealed, and secured with sheet metal screws at each joint. A horizontal run of vent must have a 1/4" rise for every 2 ft. of run towards the termination.

**CAUTION: UNDER NO CONDITION SHOULD COMBUSTIBLE MATERIAL BE CLOSER THAN 1 INCH FROM THE VERTICAL AND HORIZONTAL SECTIONS OF THE PACIFIC ENERGY VENT SYSTEM AND 1-3/4 INCHES FROM THE SIMPSON DURA-VENT DIRECT VENT GS.**

**Exterior wall opening:**

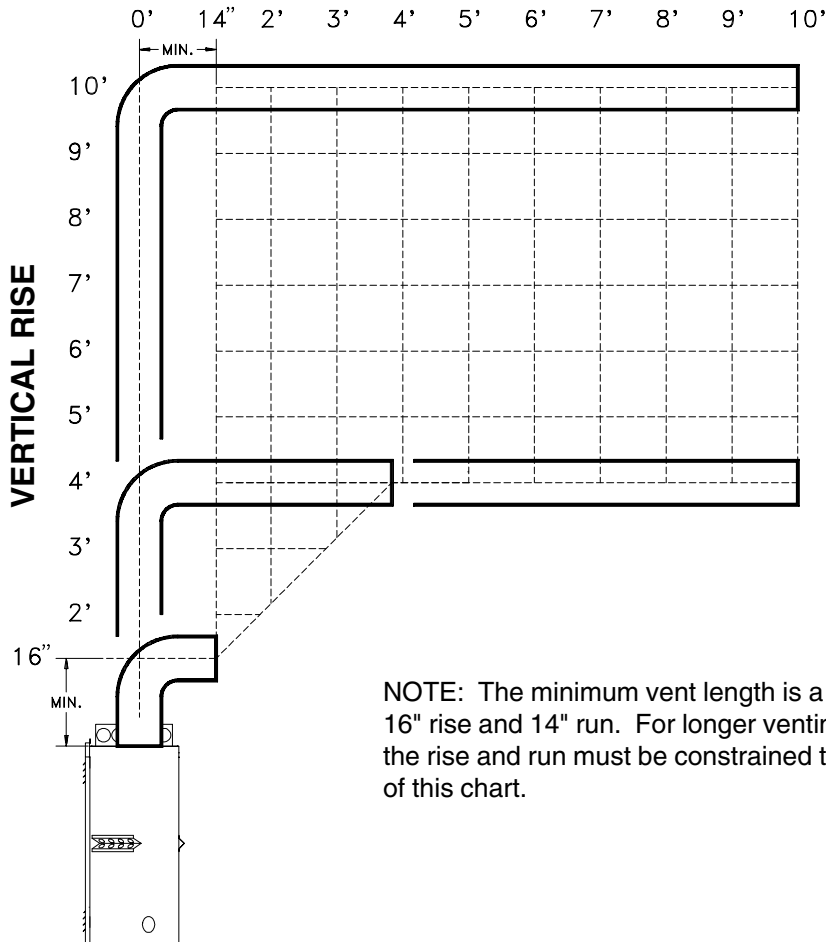
It is preferred to cut an opening between two building framing members to avoid any extra framing. Consult your local building codes prior to proceeding. The vent kit will accommodate a maximum wall thickness of 11-1/2 inches.

Having determined the vent terminal location, cut and frame an opening of 10-1/2 inches. The opening may be round or square. Minimum distance from the finished floor to the centre of the opening in a flat wall is 52 inches, and 59-1/4 inches in a corner installation. Height of the opening will vary with each installation. As the horizontal vent run increases, so does the minimum vertical rise. (see Fig. # 8)

**IMPORTANT:** When locating this hole it should be noted that the bottom of the vent terminal must be a **MINIMUM** of 12 inches above grade, the top of the vent terminal must be a **MINIMUM** of 16-1/4 inches below combustible material such as a deck or roof overhang and the side of the terminal must be a **MINIMUM** of 5-3/4 inches away from an adjacent wall. (see Fig. # 14)

Fig. # 8a

### PACIFIC ENERGY WALL TERMINATION VENTING HORIZONTAL RUN



**NOTE:** The minimum vent length is a combination of 16" rise and 14" run. For longer venting configurations, the rise and run must be constrained to the boundaries of this chart.

Fig. # 8b

## PACIFIC ENERGY ROOF TERMINATION VENTING

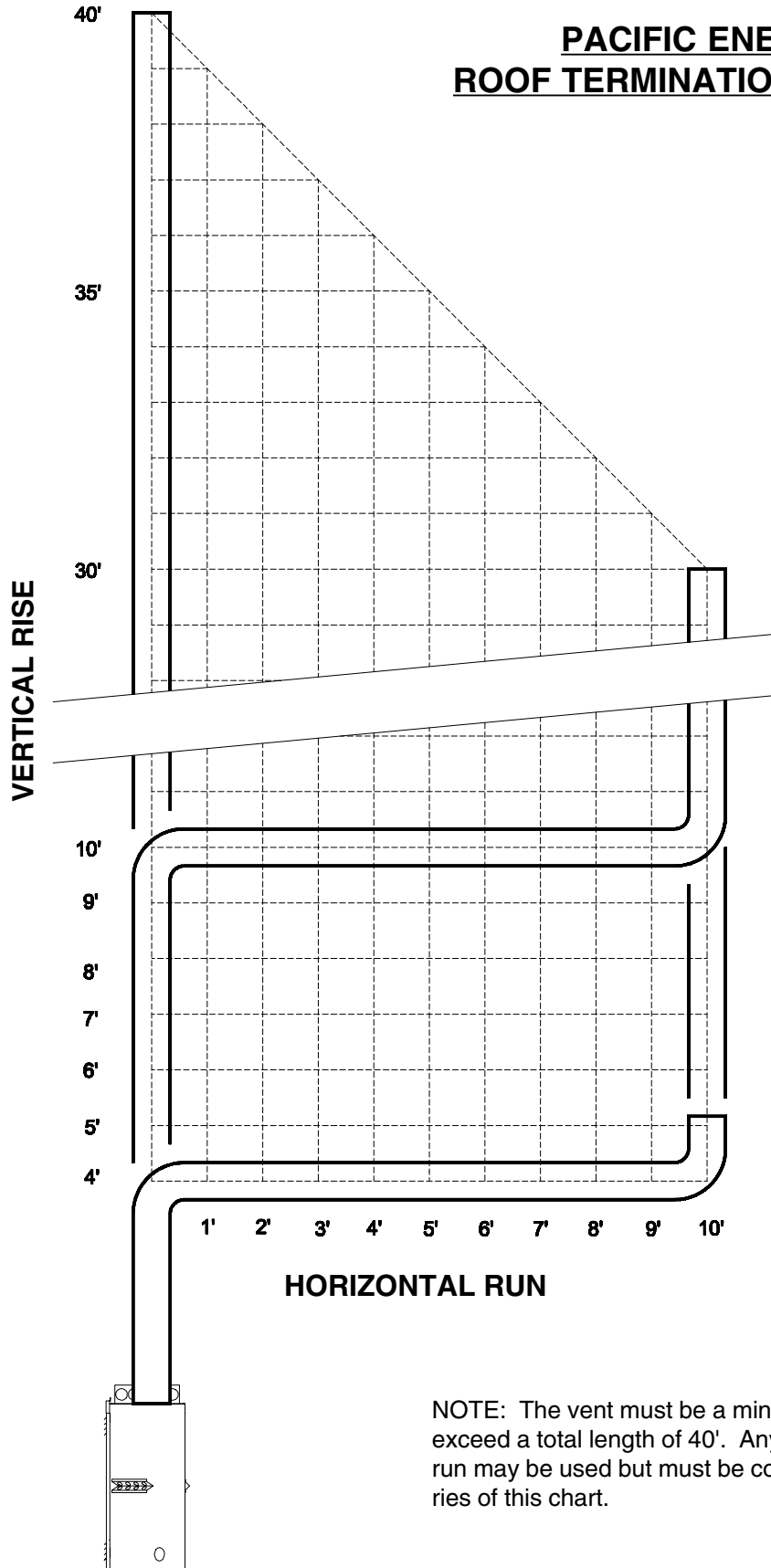
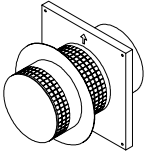
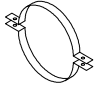
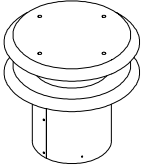

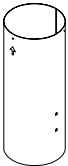

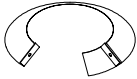
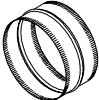
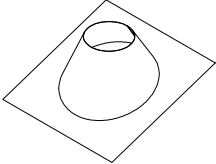
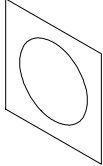
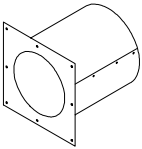

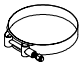



Fig. # 9

<p><b>Horizontal Vent Terminal</b></p>		<p><b>Pipe Support Set</b></p>	
<p><b>Roof Vent Terminal</b></p>		<p><b>Pipe Spacer</b></p>	
<p><b>Support Sleeve</b></p>		<p><b>4" Vent Connector</b></p>	
<p><b>Storm Collar</b></p>		<p><b>8" Vent Connector</b></p>	
<p><b>Flashing</b></p>		<p><b>Firestop</b></p>	
<p><b>Wall / Roof Thimble</b></p>		<p><b>4" Flex Pipe - 5' or 10' long</b></p>	
<p><b>4 1/2" Pipe Clamp</b></p>		<p><b>8" Flex Pipe - 5' or 10' long</b></p>	

**SEE APPENDIX A FOR A DETAILED LIST OF VENT KIT COMPONENTS**

## VENT CONNECTION

It is preferred to attach venting before framing begins. Once the fireplace is in position proceed to attach the venting. (see Fig # 10) The flexible vent pipe may be stretched to accommodate various lengths of venting. Stretch and/or cut to length as required.

The 4 inch flexible inner pipe must be centred inside the 8 inch pipe with pipe spacers provided. Pipe spacers should be installed at maximum 2 foot intervals. (see Fig. # 11) Spacers may have to be closer if pipe is bent 90°.

1) Bend pipe spacer around the 4 inch inner pipe. With ends of spacer overlapped, bend locking tabs into place. (see Fig. # 11)

2) Slip the 4 1/2 inch pipe clamp loosely over the inner flex pipe. Slide the pipe a minimum 1 1/2 inches over the inner sleeve collar of the appliance. Clamp tightly in place (see Fig. # 10). No additional seal is required. Secure in place with screws provided.

3) Slip the 8 inch outer flex pipe onto the larger collar and secure in place with screws provided. Seal the joint with high temperature sealant provided.

Fig. # 11

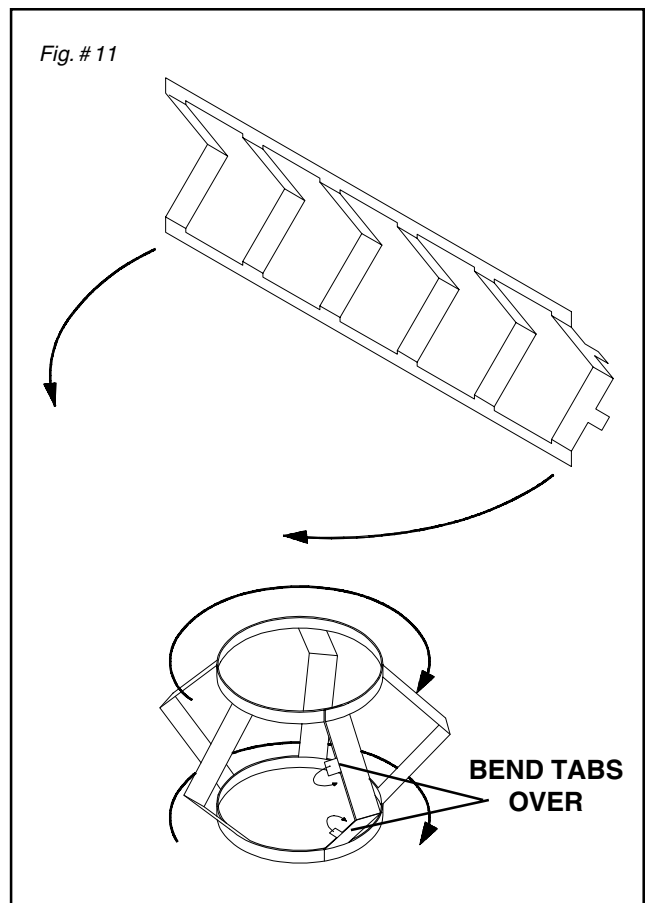
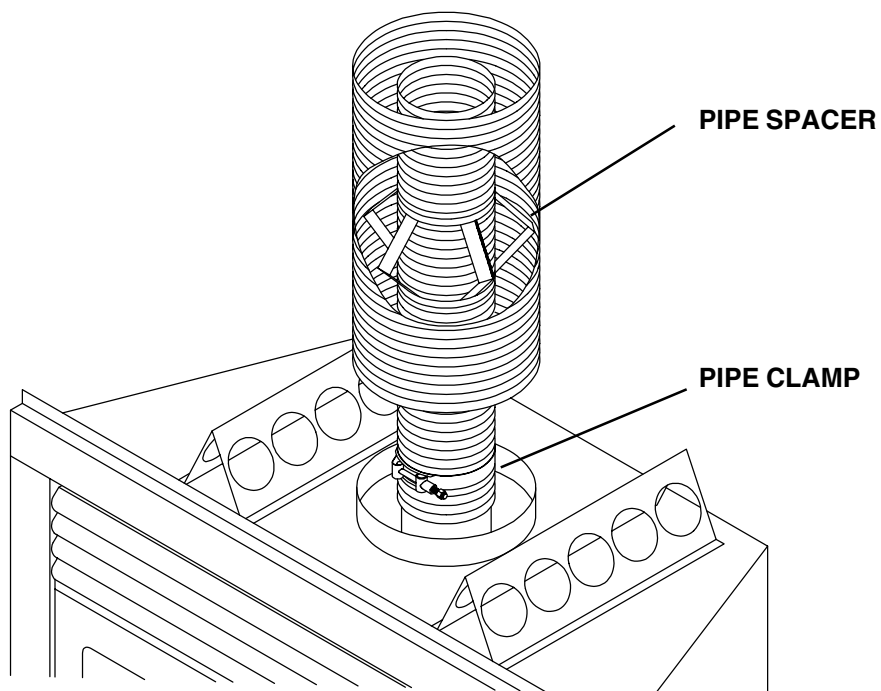


Fig. # 10



## VENT EXTENSION

Vent Pipe Kits may be combined together for longer vent length. Extend the flex pipes as shown in figure # 13. Use the 4 and 8 inch couplers supplied with the vent kit. Insert coupler into the appropriate flex pipe and secure in place with screws provided. Seal all joints and screw heads with high temperature sealant provided.

The 4 inch flexible inner pipe must be centred inside the 8 inch pipe with pipe spacers provided. Pipe spacers should be installed at maximum 2 foot intervals. (see Fig. # 10) Spacers may have to be closer if pipe is bent 90°.

The vent system must be supported approximately every 3 feet. Use pipe support straps provided with kit to maintain a 1 inch clearance from combustibles. (see Fig. # 13)

Fig. # 13

### PIPE SUPPORT

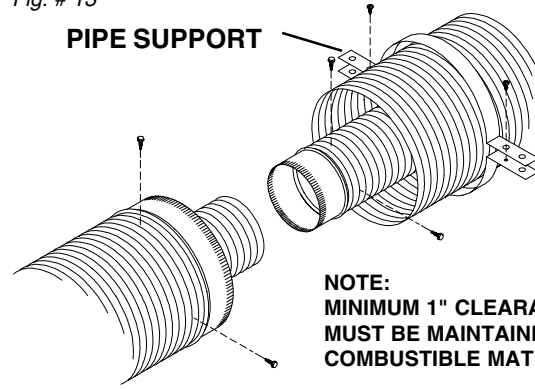
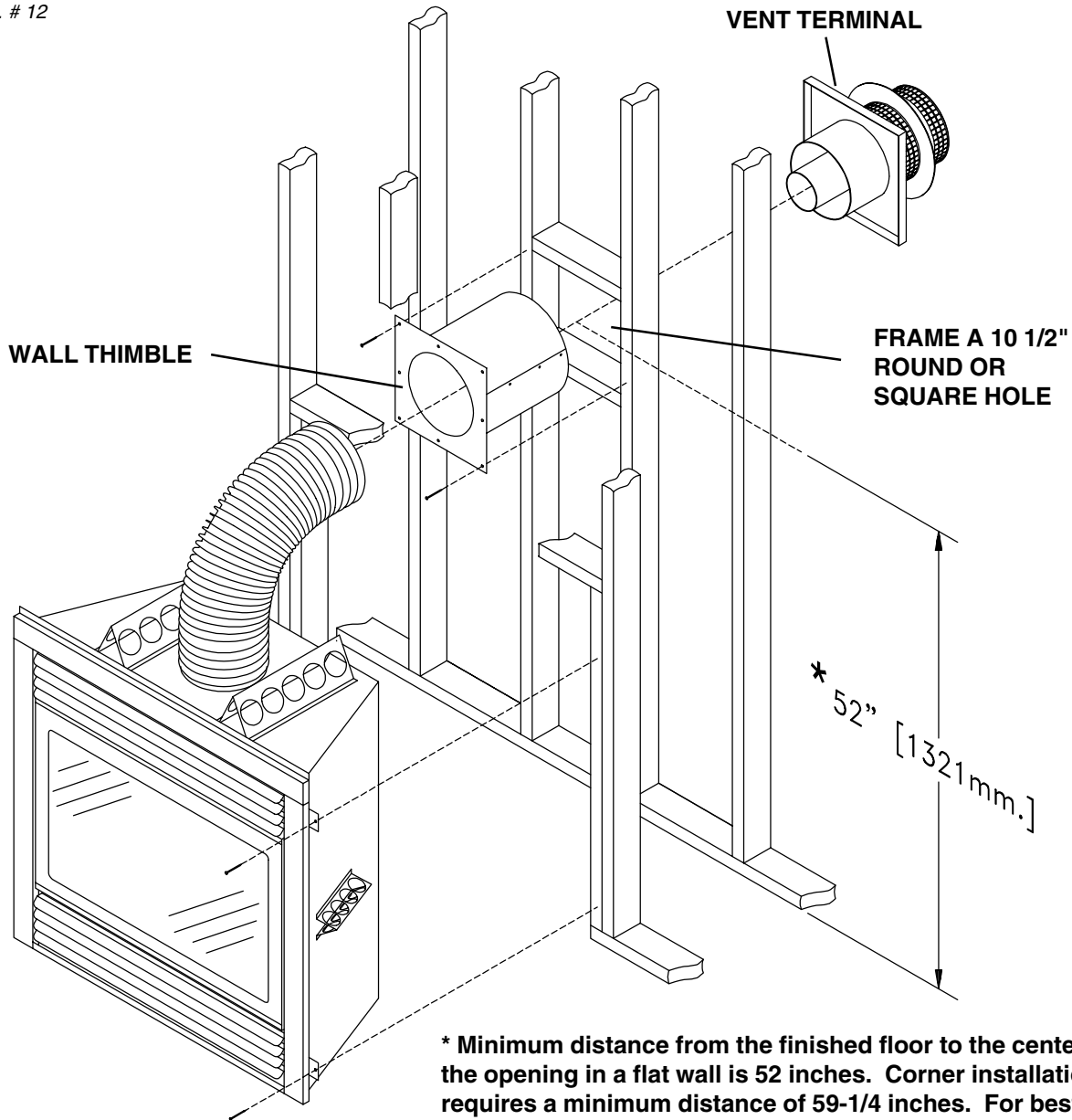


Fig. # 12



\* Minimum distance from the finished floor to the center of the opening in a flat wall is 52 inches. Corner installation requires a minimum distance of 59-1/4 inches. For best performance, maximize the height of the opening. The 5' Vent Pipe kit will accommodate a height of 52 to 82 inches.

## VENT TERMINAL INSTALLATION

Where a vent pipe passes through a combustible wall, a wall thimble must be used to retain insulation and maintain a 1 inch clearance. The wall thimble may be cut to length for various wall thicknesses. (see Fig. # 12) It may be necessary to attach the flex vent pipe to the vent terminal sleeve before attaching terminal to the wall.

- 1) Slip the 4 inch inner flex pipe a minimum of 1-1/2 inches over the inner sleeve of the vent terminal. Secure to the sleeve with screws provided. Seal the joint and screw heads using the high temperature sealant.
- 2) Slip the 8 inch outer flex pipe a minimum of 1-1/2 inches over the outer sleeve of the vent terminal. Secure to the sleeve with screws provided. Seal the joint and screw heads using the high temperature sealant.
- 3) Install the vent terminal on the outside wall as shown in Figure # 15. Attach the terminal to the outside wall at each corner with screws provided. Do not overtighten screws. **The vent terminal must not be recessed into the exterior wall or siding.**
- 4) Caulk in place to prevent any moisture entering the building.

**NOTE: MINIMUM CLEARANCES TO THE VENT TERMINAL MUST BE MAINTAINED. (Fig. # 14)**

Fig. # 15

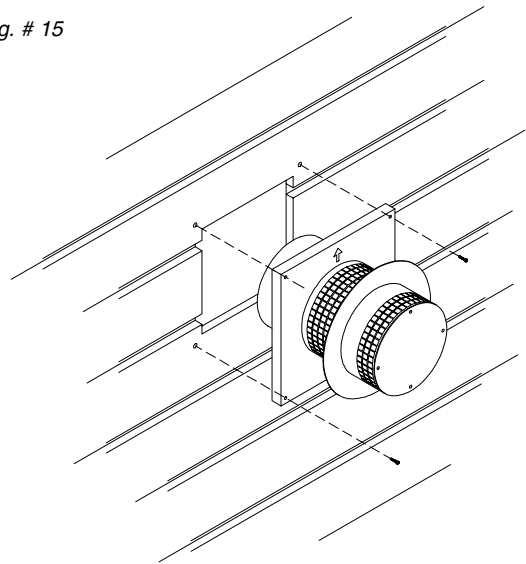
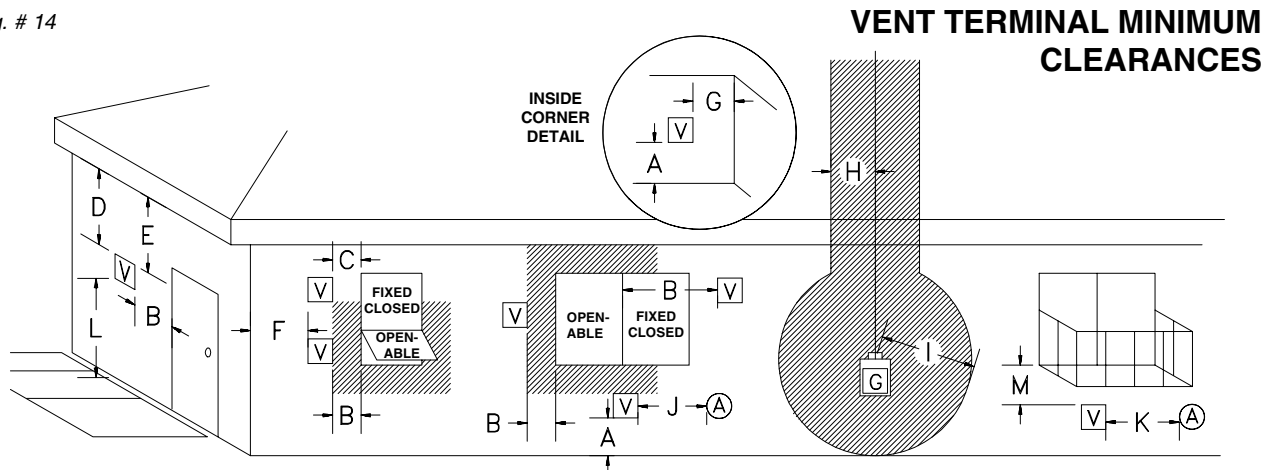


Fig. # 14



☐ V VENT TERMINAL

Ⓐ AIR SUPPLY INLET

▨ AREA WHERE TERMINAL IS NOT PERMITTED

☐ G GAS METER

A= clearances above grade, veranda, porch, deck, or balcony

[\* 12 inches (30 cm) minimum]

B= clearance to window or door that may be opened [\* 12 inches (30 cm) minimum]

C= clearance to permanently closed window [minimum 12 inches (30 cm) recommended to prevent condensation on window]

D= vertical clearance to ventilated soffit located above the terminal within a horizontal distance of 2 feet (60 cm) from the center-line of the terminal [18 inches (46 cm) minimum]

E= clearance to unventilated soffit [16-1/4 inches (41 cm) minimum]

F= clearance to outside corner [8 inches (20 cm) minimum]

G= clearance to inside corner [5-3/4 inches (15 cm) minimum]

H= \* not to be installed above a meter/regulator assembly within 3 feet (90 cm) horizontally from the center-line of the regulator

I= clearance to service regulator vent outlet [\* 6 feet (1.8 m) minimum]

J= clearance to nonmechanical air supply inlet to building or the combustion air inlet to any other appliance [\* 12 inches (30 cm) minimum]

K= clearance to a mechanical air supply inlet [\* 6 feet (1.8 m) minimum]

L= ^ clearance above paved side-walk or a paved driveway located on public property [\* 7 feet (2.1 m) minimum]

M= clearance under veranda, porch, deck, or balcony [16-1/4 inches (41 cm) minimum\*\*]

^ a vent shall not terminate directly above a side-walk or paved driveway which is located between two single family dwellings and serves both dwellings\*

\*\* only permitted if veranda, porch, deck, or balcony is fully open on a minimum of 2 sides beneath the floor\*

\* as specified in CGA B149 Installation Codes, Note: local Codes or Regulation may require different clearances

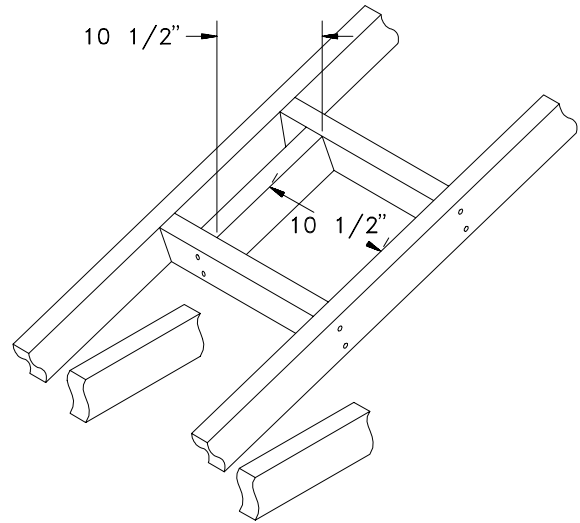
\* for U.S.A. Installations follow the current National Fuel Gas Code, ANSI Z223.1

## ROOF VENT TERMINAL INSTALLATION

Firestops must be used where a vent passes through a floor. Where a vent passes through a ceiling, a wall/roof thimble must be used to retain insulation and maintain a 1 inch clearance. Avoid cutting rafters.

- 1) Once the location of the terminal is determined, cut and frame a minimum 10-1/2" round or square opening in the roof. Size of the opening may have to increase with the pitch of the roof to ensure a 1 inch air space clearance between vent and combustibles. (see Fig. # 17)
- 2) Attach the roof brackets to the support sleeve with the 1/4" x 1" long carriage bolts. (see Fig. # 16)
- 3) Extend the 8 inch outer flex pipe through the roof opening. Slip the flex pipe a minimum of 1-1/2 inches over the support sleeve. Secure pipe to the sleeve with screws provided. Seal the joint and screw heads using the high temperature sealant provided.
- 4) Fasten the support sleeve assembly to the roof joists. The sleeve must be located vertically and plumb and a minimum of 1 inch away from any combustible material. (see Fig. # 18)
- 5) Place the roof flashing over the support sleeve and nail securely to the roof using roofing nails, top and sides UNDER shingles, lower end OVER shingles to provide a watershed. Make weather tight by sealing with roofing compound. (see Fig. # 20)

Fig. # 17



**Size of the opening may have to increase with the pitch of the roof to ensure a 1 inch air space clearance between vent and combustibles.**

Fig. # 16

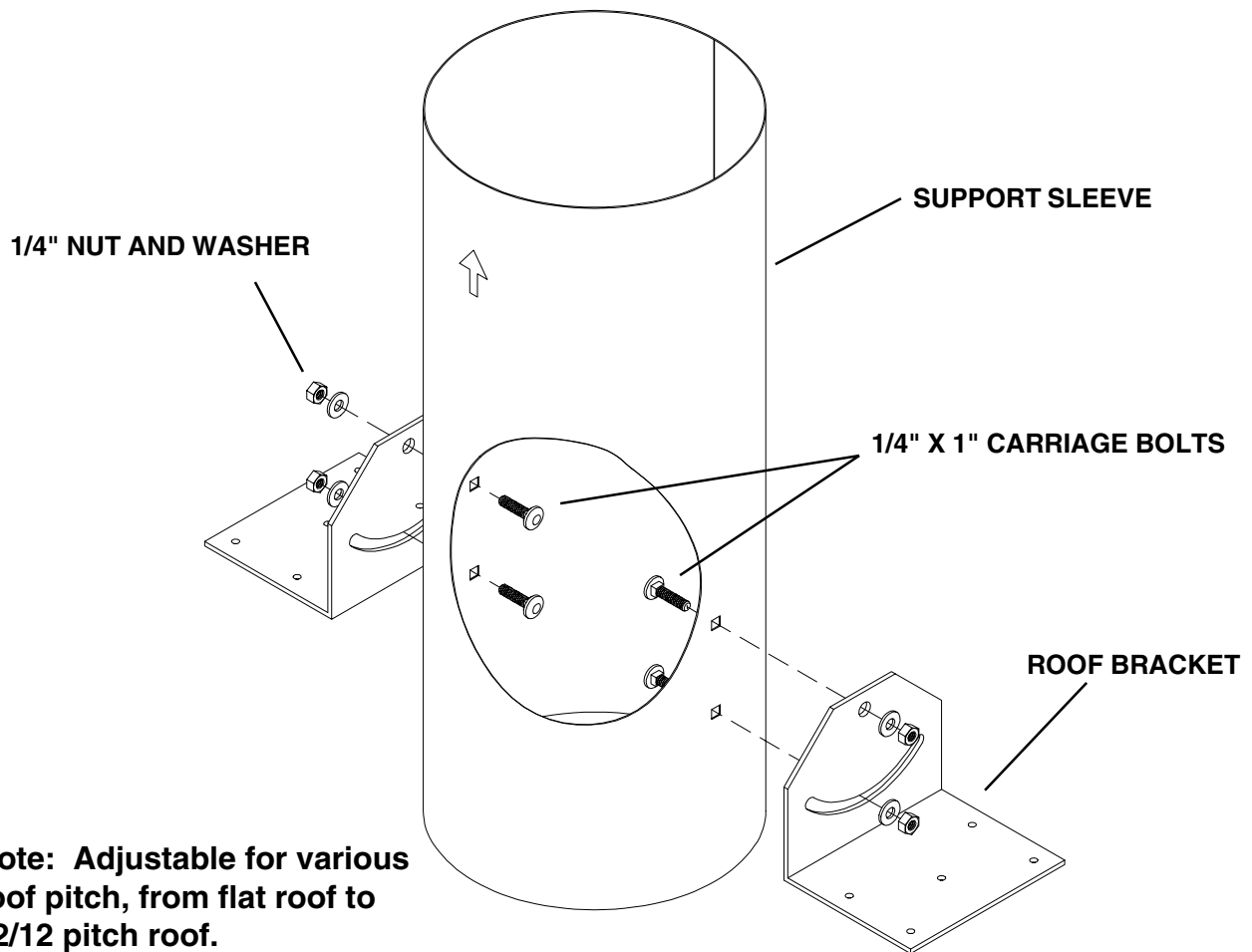
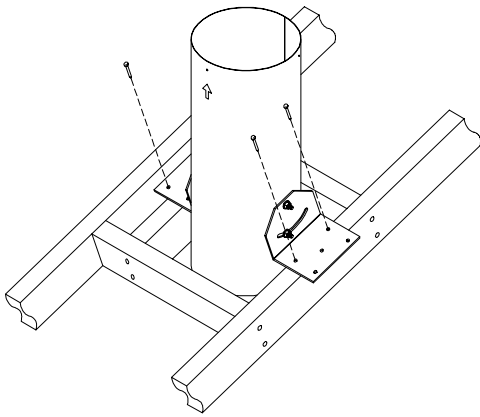


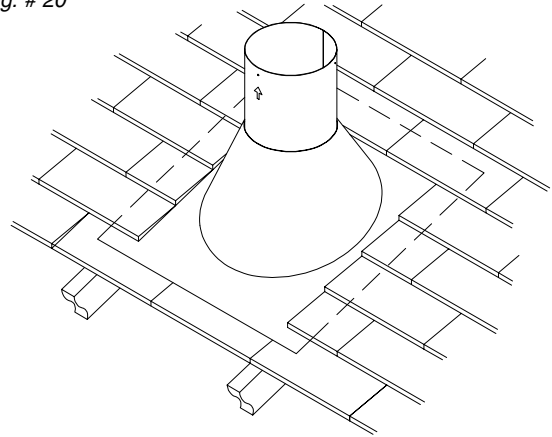
Fig. # 18



6) Place the storm collar down over the pipe until it is level. Tighten storm collar for a snug fit. Apply a thick horizontal ring of mastic around the support sleeve at top of storm collar. (see Fig. # 19)

7) Extend the 4 inch inner flex pipe through the roof assembly. Slip the flex pipe a minimum of 1 1/2 inches over the inner collar of the roof

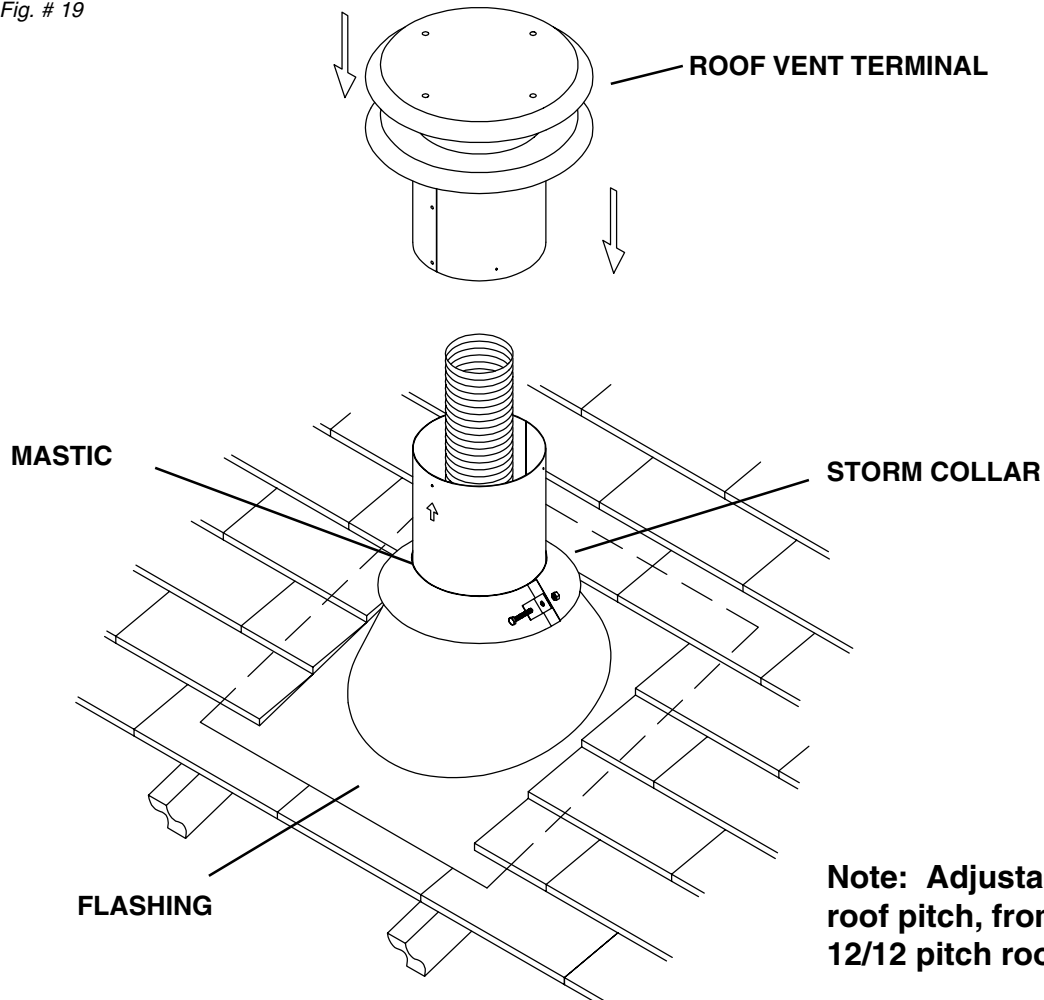
Fig. # 20



vent terminal. Secure to the collar with screws provided. Seal the joint and screw heads using the high temperature sealant provided.

8) Lower the roof vent terminal over the sleeve and secure in place with screws provided. (see Fig. # 19) Seal screw heads and joint with caulking to prevent any moisture entering the venting system.

Fig. # 19



**Note: Adjustable for various roof pitch, from flat roof to 12/12 pitch roof.**

## OPTIONAL VENTING

### SIMPSON DURA-VENT - DIRECT VENT GS SYSTEM

The Estate Fireplace is also tested and certified for use with SIMPSON DURA-VENT DIRECT VENT GS pipe. Kits for venting either through the side wall or vertically through the roof are available from Simpson Dura-Vent or your nearest Pacific Energy Authorized Dealer.

Before installing the Dura-Vent system, the installer should read the instructions that accompany this appliance to insure proper installation requirements are maintained.

**CAUTION: UNDER NO CONDITION SHOULD COMBUSTIBLE MATERIAL BE CLOSER THAN 1-3/4 INCHES FROM ANY VERTICAL AND HORIZONTAL VENT SECTIONS OF THE SIMPSON DURA-VENT DIRECT VENT GS SYSTEM.**

Follow vent pipe manufacturer's instructions for assembly and installation.

Fig. # 20a

### WALL TERMINATION DURA-VENT GS VENT

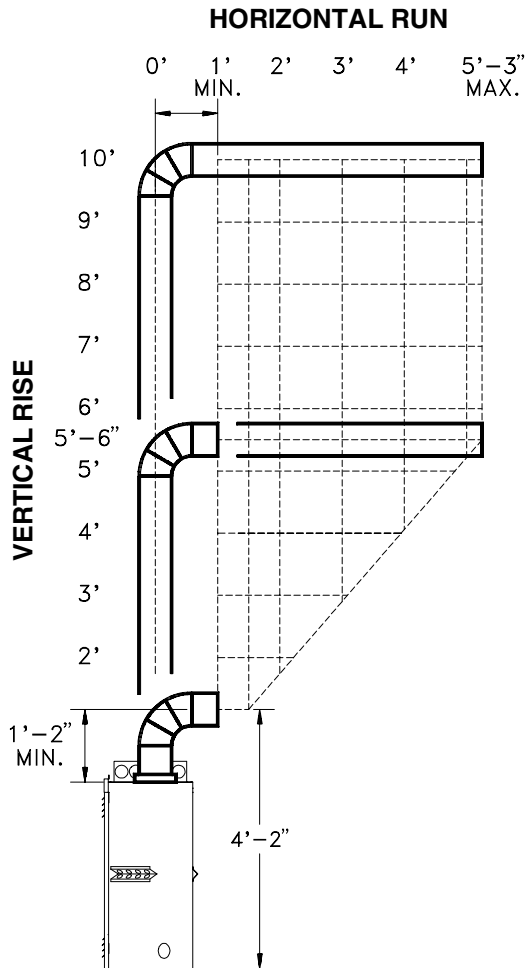


Fig. # 20b

### ROOF TERMINATION VENTING DURA-VENT GS

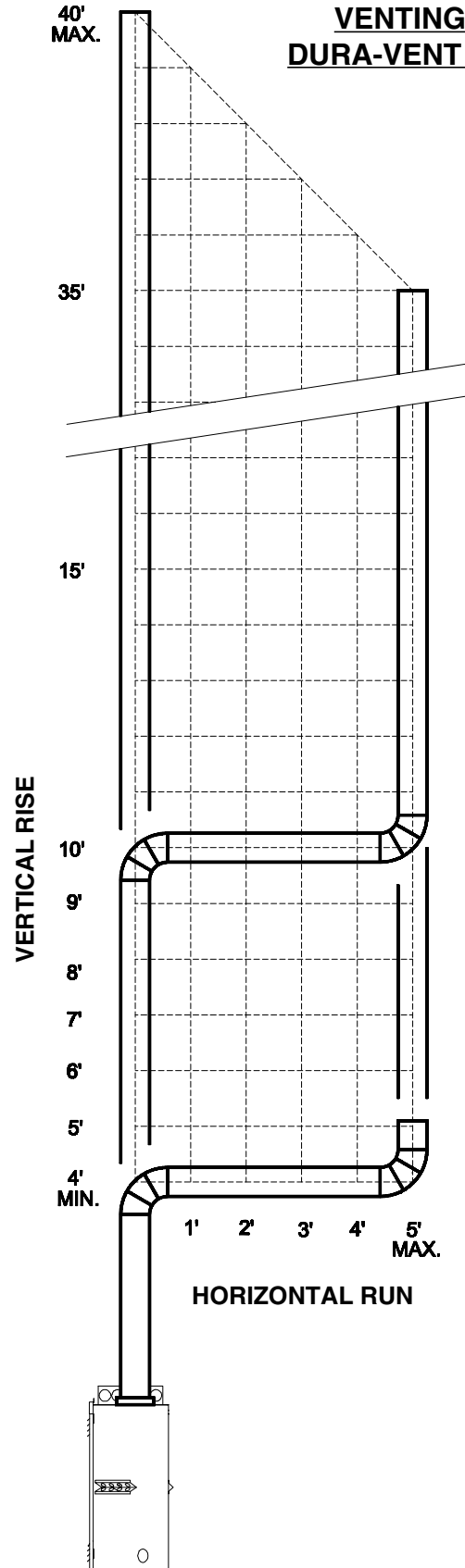


Fig. # 20c

## Venting System Components

## Dura-Vent GS Catalog #

	<u>galv.</u>	<u>black</u>
6" pipe length	908B	
9" pipe length	907B	
12" pipe length	906	906B
24" pipe length	904	904B
36" pipe length	903	903B
48" pipe length	902	902B
11" - 14 5/8" adjustable pipe length	911B	
90° elbow	990	990B
45° elbow	945	945B
High wind vertical termination cap	991	
Horizontal square termination cap	984	
Snorkel termination cap - 36"	981	
Snorkel termination cap - 14"	982	
Vinyl siding standoff	950	
Round ceiling support/wall thimble	940	
Cathedral ceiling support box	941	
Storm collar	953	
Ceiling firestop	963	
Roof flashing 0/12 - 6/12	943	
Roof flashing 7/12 - 12/12	943S	
Wall straps	988	
Wall thimble	942	

---

Estate Dura-Vent pipe adaptor  
Estate Snorkel adaptor

ESTD.DVADPT  
ESTD.SNADPT

### Wall Termination Venting

To connect the Dura-Vent GS venting system to the Estate Fireplace flue outlet, an Estate Pipe Adaptor is required.

A minimum 6" vertical length must be installed before the first 90° elbow. With this minimum vertical rise, a maximum horizontal run of 18" is permitted. For longer horizontal runs, the vertical rise must also increase. The rise and run must be constrained to the boundaries of the chart shown in figure #1.

A horizontal run of vent must have a 1/4" rise for every 2 ft. of run towards the termination.

### Roof Termination Venting

To connect the Dura-Vent GS venting system to the Estate Fireplace flue outlet, an Estate Pipe Adaptor is required.

A minimum 4' vertical length must be installed before the termination cap or the first 90° elbow. The total vent length must not exceed 40'. Any combination of rise and run may be used but must be constrained to the boundaries of the chart shown in figure #2.

A horizontal run of vent must have a 1/4" rise for every 2 ft. of run towards the termination.

## OPTIONAL SNORKEL VENT TERMINAL

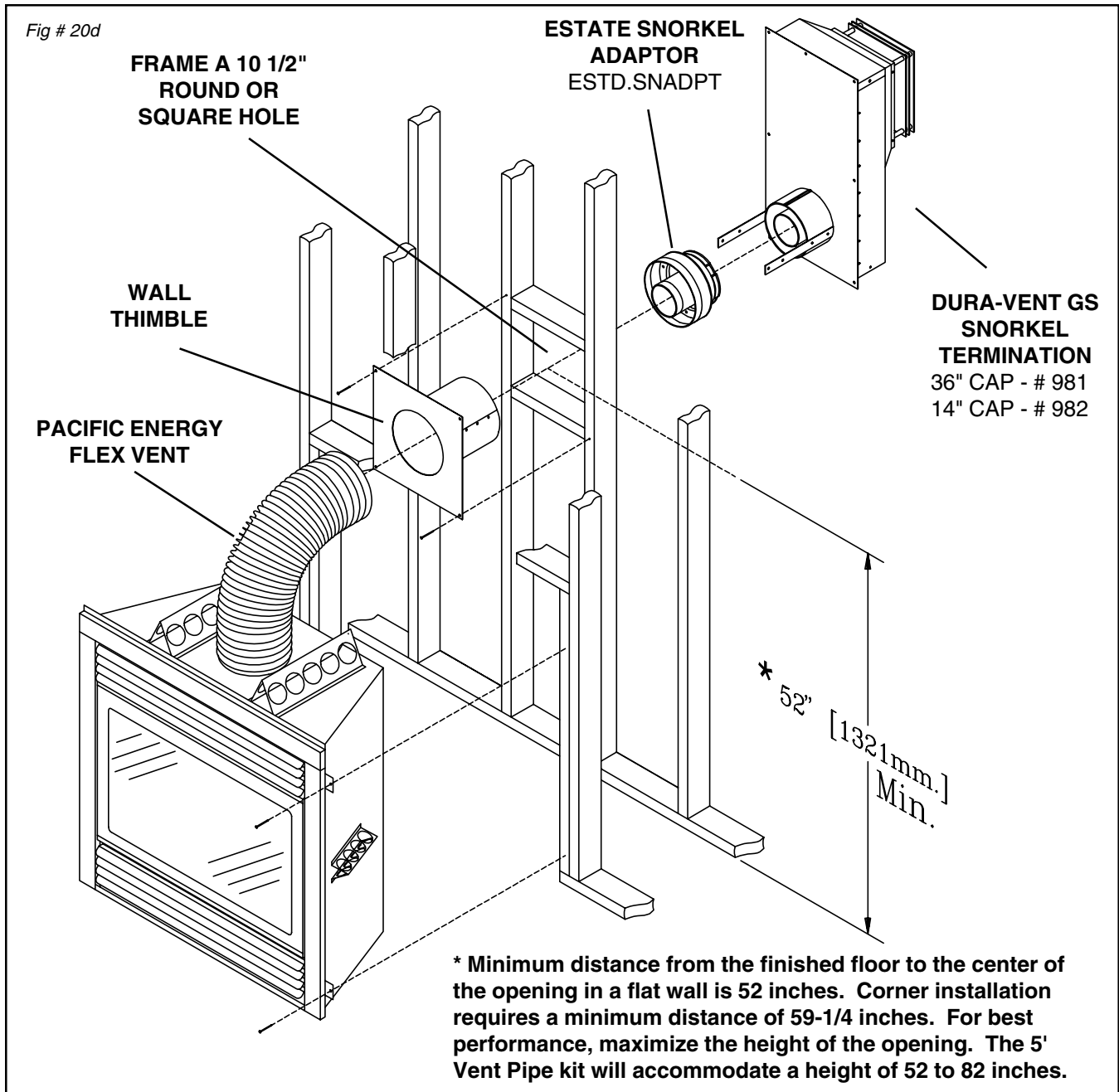
For installations requiring a vertical rise on the exterior of the building, a 14 inch or a 36 inch tall Snorkel Termination is available from Simpson Dura-Vent or your nearest Pacific Energy Authorized Dealer.

Follow the same installation procedures as for standard Wall Terminations (see VENTING section). If the Snorkel Termination must be installed below grade, (i.e. basement application), proper drainage must be provided to prevent water from entering the Snorkel Termination. Refer to Simpson Dura-Vent installation instructions. Do not attempt to enclose the Snorkel within a wall, or any other type of enclosure. Ensure that proper clearances to combustible materials are maintained (see Fig. # 14).

Where a vent pipe passes through a combustible wall, a wall thimble must be used to hold insulation away and maintain a 1 inch clearance. The wall thimble may be cut to length for various wall thicknesses.

To connect the Dura-Vent GS Snorkel Termination to the Estate flexible vent, an Estate Snorkel Adaptor (ESTD.SNADPT) is required.

- 1) Attach the Estate Snorkel Adaptor to the Snorkel Terminal.
- 2) Extend both the 8-inch outer and the 4-inch inner flex pipe through the wall thimble. Slip the 4 inch inner flex pipe a minimum of 1-1/2 inches over the inner collar of the Estate Snorkel Adaptor. Secure to the collar with screws provided. Seal the joint and screw heads using the high temperature sealant.
- 3) Slip the 8 inch outer flex pipe a minimum of 1-1/2 inches over the outer collar of the Estate Snorkel Adaptor. Secure to the collar with screws provided. Seal the joint and screw heads using the high temperature sealant.
- 4) Before attaching the Snorkel Termination to the exterior wall, run a bead of non-hardening mastic around its outside edges, so as to make a seal between it and the wall. The arrow on the terminal should be pointing up.



## MANUFACTURED (MOBILE) HOME

In some jurisdictions, the Estate Fireplace may be installed in Manufactured Homes after the "first sale". **Consult local codes for approval.** The fireplace must be fastened in place.

Install in accordance with the current standard CSA Z240.4 GAS EQUIPPED RECREATIONAL VEHICLES AND MOBILE HOUSING (in CANADA), and the Manufacturer's Home Construction and Safety Standard, Title 24 CFR, Part 3280 (in the U.S.A.).

## GAS SUPPLY

**Caution: The gas line should be installed by a qualified service person in accordance with all building codes. This section is intended as a guide for qualified technicians installing this appliance. Consult local and/or national building codes before proceeding.**

The Estate comes equipped with a flexible connector with a 3/8" N.P.T. male inlet for easy gas connection. This connector is attached to the control valve under the burner assembly. Gas supply line may enter the cabinet at the bottom left or right through the holes provided.

Proper gas line diameter must be used to assure proper operation. A pressure test port (1/8" N.P.T. plugged tapping) must be provided for checking gas pressure. The port must be located immediately upstream of the gas supply connected to the appliance.

### Recommended Thermostat Wire Size

Wire Size	Max. Length
14 ga. ....	100 ft.
16 ga. ....	60 ft.
18 ga. ....	40 ft.
20 ga. ....	25 ft.
22 ga. ....	18 ft.

## Correct gas pressure requirement:

	Natural Gas	Propane
Min. Pressure <small>(For purpose of input adjustment)</small>	5.0" wc	11.0" wc
Max. Pressure	10.5" wc	13.0" wc
Manifold Pressure		
Maximum	3.8" wc	10.0" wc
Minimum	1.1" wc	6.2" wc

## WALL SWITCH OR THERMOSTAT

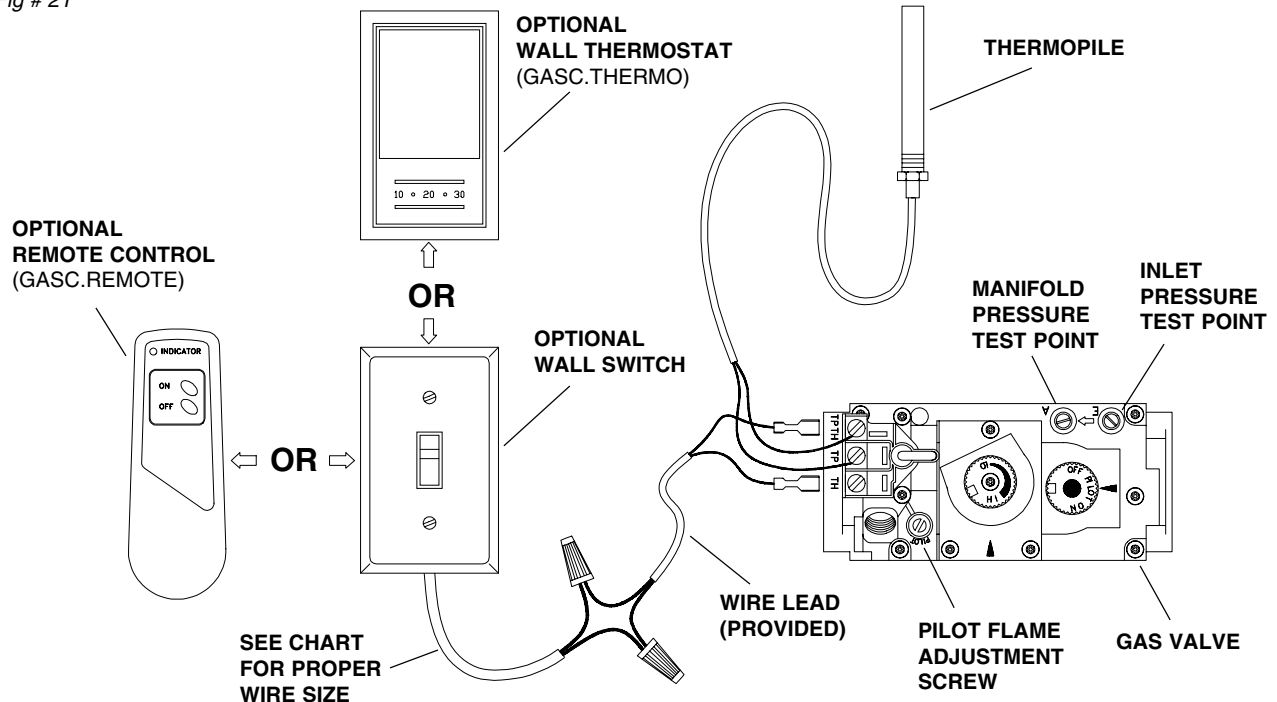
**WARNING: Do not connect 110 - 120 VAC to the gas control valve or control wiring system of this unit.**

No electrical connection is required for the gas system operation. The self-generating pilot provides current for the remote wall switch or wall thermostat (not provided).

The installation of a wall switch allows for manual remote operation of fireplace, and automatic operation with a wall thermostat. Use a switch or thermostat rated for millivolts.

Position the wall switch or thermostat so that a minimum length of wire is used to the fireplace. Use appropriate wire gauge for length. Connect the wall switch to the valve as shown in figure # 21. The gas valve is prewired with a short wire lead for convenience.

Fig # 21



## BURNER INSTALLATION

The glass frame and window trim overlay must be removed to install the burner into the firebox. The glass frame is held in place by two over-center latches located under the firebox.

- 1) Fold down the front bottom louver, if installed, to access the screw retaining the window trim overlay. Remove the screw and swing the bottom out to clear. Lift to disengage from the top and remove. Place on a smooth surface to avoid scratching.
- 2) Disengage the over-center latches by pulling each lever down and forward. Grasp the sides of the frame and swing the bottom out to clear. Lift up and forward to disengage from the top. Place the glass frame assembly in a safe place to avoid damage.
- 3) Carefully remove the wrapped log set and brick panels from inside of the firebox and set aside, taking care not to damage them. Remember, the logs and panels are extremely fragile!
- 4) The burner assembly has been packed separately to avoid damage during shipping. Remove the entire assembly from the packaging and place in the bottom of the firebox by tilting it slightly forward. Be sure to align the two studs on the side of the burner with the holes provided in the firebox bottom. (See Fig. # 23). Fasten in place with the two wing nuts provided.
- 5) Place the self-adhesive label into the blank box provided on the rating label to designate the type of gas the appliance is connected to.

## BRICK PANELS INSTALLATION

- 1) Remove the brick panels from packaging.
- 2) Place the back brick panel against the rear of the inside of the firebox so that the largest row of bricks is on the bottom.
- 3) Place one of the side panels into the right side of the firebox, brick side facing in.
- 4) Place the other side panel into the left side of the firebox, brick side facing in.

Fig. # 23

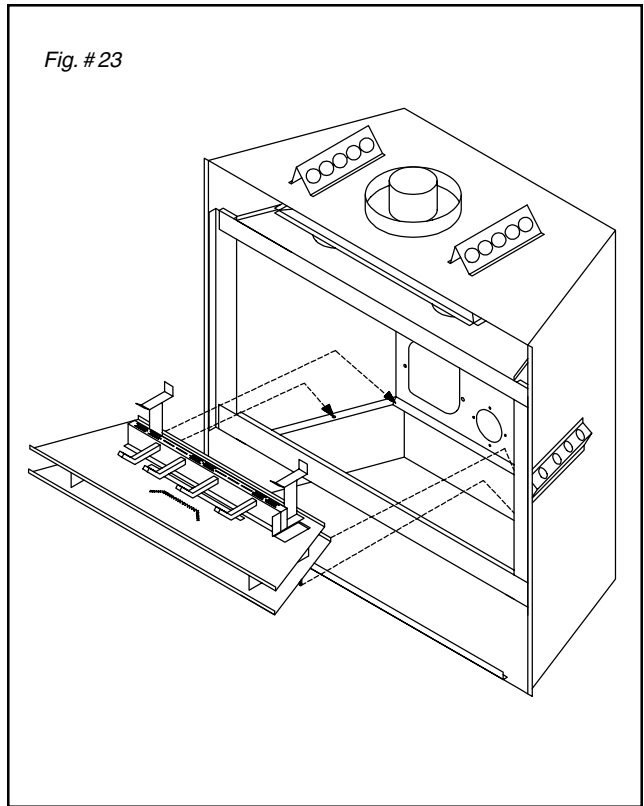
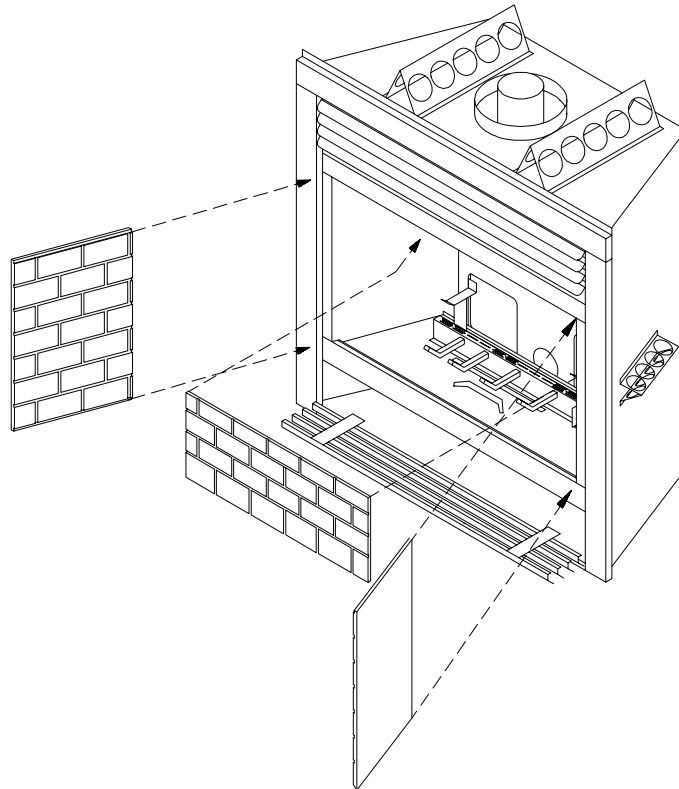


Fig. # 22



## LOG SET ASSEMBLY

Unpack and inspect log set. There should be a total of 4 logs as shown in Fig. # 24. All gas and vent connections should be made before installing log set.

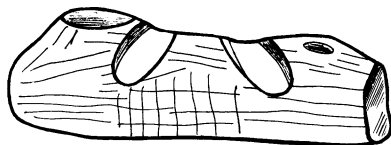
See figure # 25.

- 1) Position the rear log at the back of the firebox, centered between the brackets, with flat side facing rear and the bark side facing forward.
- 2) Position the front log on the two pins located on the andirons, with charred section facing forward.
- 3) The top left log bridges across the front and rear log. The log should be properly seated on the pin in the front log and nested in the left relief of the rear log.
- 4) The top right log also bridges across the front and rear log. The log should be properly seated on the pin in the front log and nested in the right relief of the rear log.

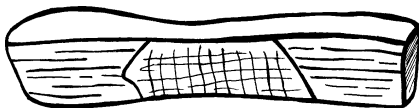
Note: Improper placement of logs may cause sooting on internal parts and glass.

Fig. # 24

Rear Log



Front Log



Top Left Log



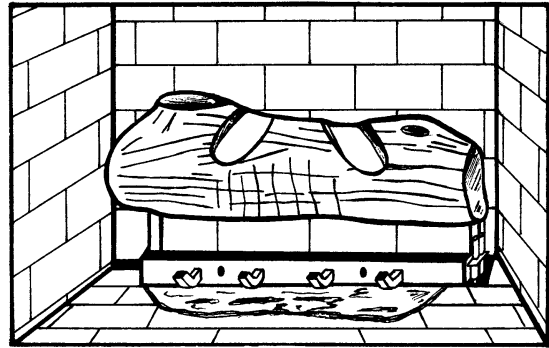
Top Right Log



Fig. # 25

Step 1

### Back Log Placement



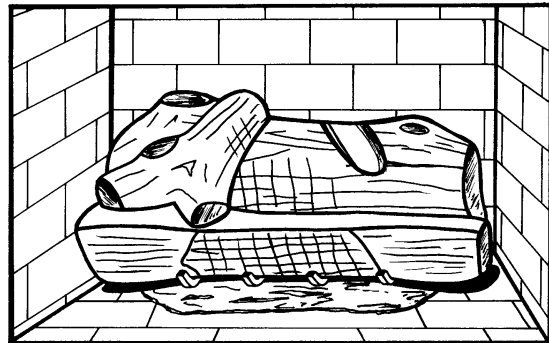
Step 2

### Front Log Placement



Step 3

### Top Left Log Placement



Step 4

### Top Right Log Placement

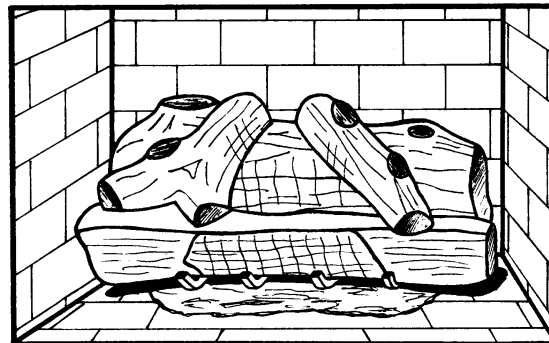
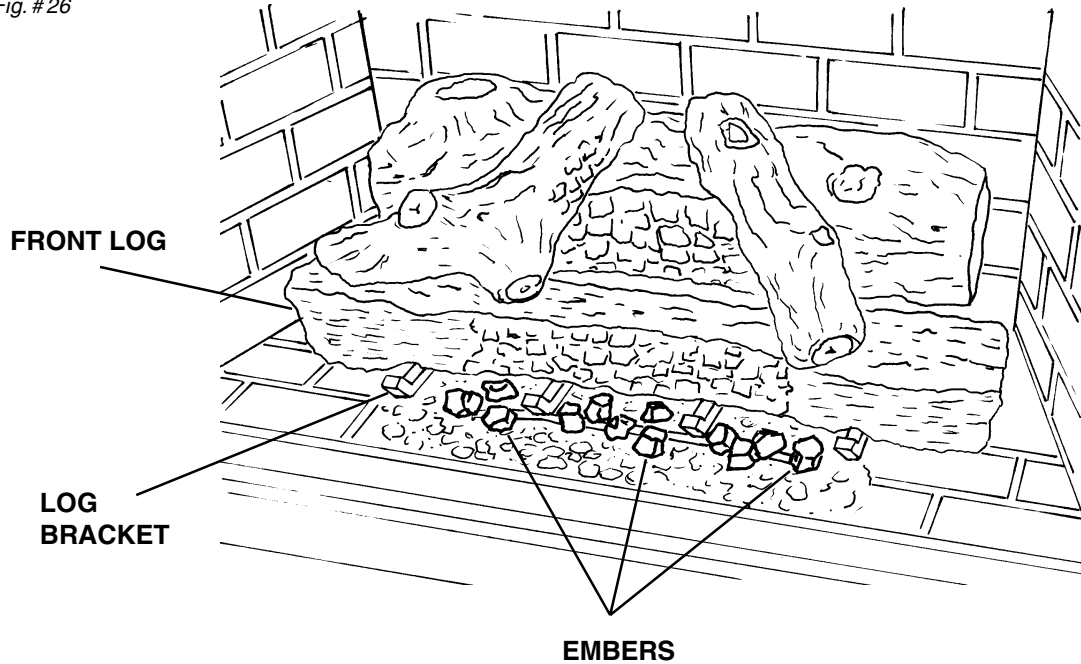


Fig. #26



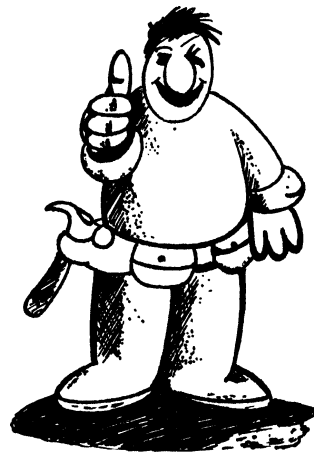
### GLOWING EMBERS

Note: The use of glowing embers is optional. Fewer embers used will reduce glow but will enhance front flame

The glowing embers should be placed randomly on the front burner area as shown in figure # 26. Use 10 to 12 pieces directly over the front flame ports with remainder spread around the burner area. This will produce the best results.

Note: Only use embers supplied with this appliance. Use of any other materials or incorrectly placed embers may cause an incorrect flame pattern, sooting and/or delayed ignition.

Replace the glass frame assembly and retain in place with latches. Replace and re-attach window trim overlay.



## OPTIONAL BLOWER

### Electrical Supply:

It is recommended that the fireplace electrical receptacle box be prewired during installation. The optional blower (kit # ESTD.BLOB) is equipped with a three prong power cord and may be installed and plugged in at a later date.

**Consult local codes or, in the absence of local codes, with the current CSA C22.1 Canadian Electrical Code and in the USA with the National Electrical Code, ANSI/NFPA 70 (Latest Edition).**

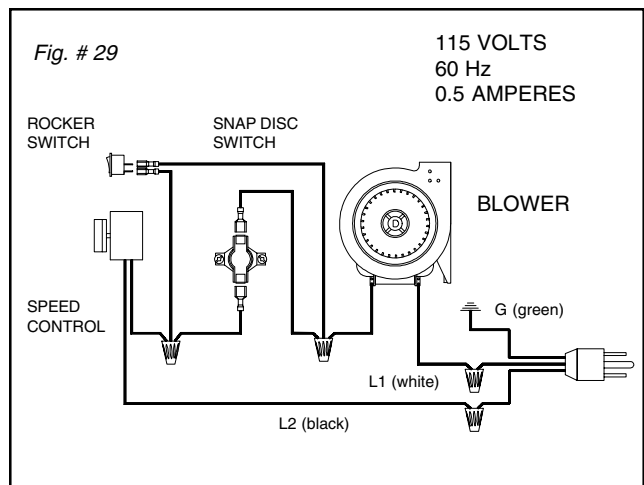
Route a 14/2 wire power cable to the left side of the fireplace. Attach a proper electrical strain relief through the knock out hole provided. Feed the wire through and into the electrical receptacle box provided. Connect the wire to the receptacle, black wire to brass screw, white wire to chrome screw and ground wire to green ground screw. Fit the receptacle back into the electrical box and replace cover.

Optional circulating air blower electrical rating: 115V, 60Hz, 80 watts. For your protection against shock hazard, use only a properly grounded power supply.

### Installation:

It is preferred to install the blower kit before the burner assembly is in place. (see Fig. # 28) If the burner is already installed, open bottom louver and install through opening.

- 1) Tilt the blower on its side and slide it past the left side of the gas valve. Position the blower onto the studs located at the rear of the fireplace and secure in place with wing nuts provided.
- 2) Place the speed control junction box in the left front corner of the appliance. Slide the control box back into the spring clips and secure to the fireplace in front with screw provided.

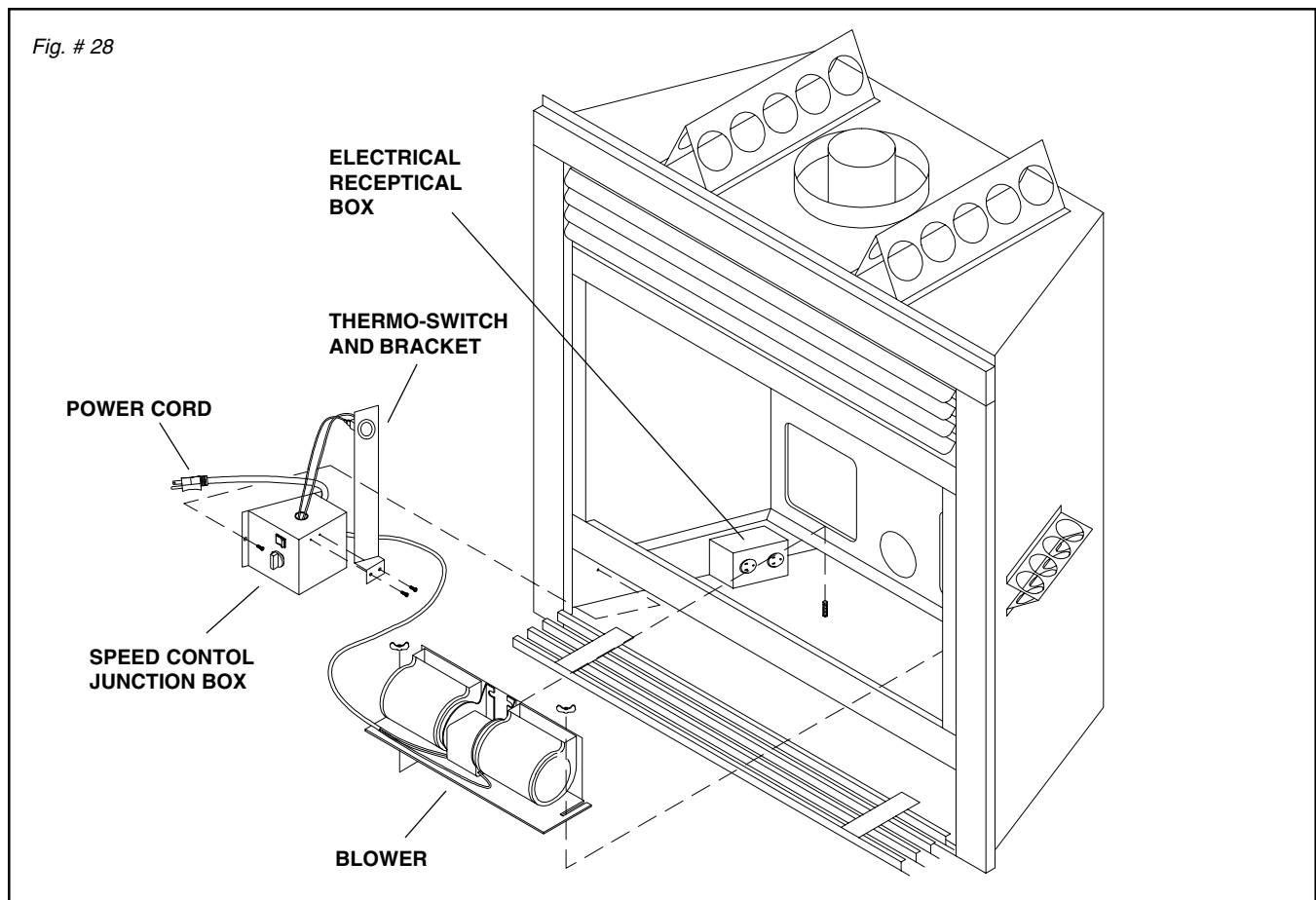


- 3) Slip the thermostat switch bracket in between the firebox and outer casing. Attach to speed control junction box with screws provided.
- 4) Plug in the fan kit.

### Operation:

The optional circulating air blower is thermostatically controlled and will not operate if appliance is cold. A few minutes after the appliance is lit and the variable speed control set at a desired setting, the blower will automatically turn on. The blower will automatically turn off a few minutes after the appliance is shut down.

The blower may also be operated manually. Push the rocker switch to manual position and the blower will operate independent of the burner provided the variable speed control is set.

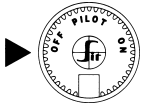


## FOR YOUR SAFETY READ BEFORE LIGHTING

**WARNING:** If you do not follow these instructions exactly, a fire or explosion may result causing property damage, personal injury or loss of life.

- A. This appliance has a pilot which must be lighted by hand. When lighting the pilot, follow these instructions exactly.
- B. **BEFORE LIGHTING** smell all around the appliance area for gas. Be sure to smell next to the floor because some gas is heavier than air and will settle on the floor.
- WHAT TO DO IF YOU SMELL GAS:**
- Do not try to light any appliance.
  - Do not touch any electric switch; do not use any phone in your building.
  - Immediately call your gas supplier from a neighbour's phone. Follow the gas supplier's instructions.
  - If you cannot reach your gas supplier, call the fire department.
- C. Use only your hand to push in or turn the gas control knob. Never use tools. If the knob will not push in or turn by hand, don't try to repair it, call a qualified service technician. Force or attempted repair may result in a fire or explosion.
- D. Do not use this appliance if any part has been under water. Immediately call a qualified service technician to inspect the appliance & to replace any part of the control system & any gas control which has been under water.

## LIGHTING INSTRUCTIONS

1. STOP! Read the safety information above on this label.
  2. Set wall thermostat to lowest setting, if applicable.
  3. Turn off all electric power to the appliance.
  4. Open the bottom grill to access the controls.
  5. Partially depress and turn gas control knob clockwise ↻ past "Pilot" to "Off" position.
- Note: Knob cannot be turned from "Pilot" to "Off" unless knob is pushed in slightly. Do not force.
- GAS KNOB**
- 
6. Allow sufficient length of time (minimum 5 minutes) for any gas in the combustion chamber to escape. If you still smell gas, STOP! Follow "B" in the safety information above on this label. If you don't smell gas, go to the next step.
  7. Turn gas control knob back to "Pilot" position.
  8. Depress gas control knob fully and hold while you ignite pilot with the push button igniter. Once the pilot ignites, continue depressing knob for approximately 5 seconds. If pilot does not stay lit, repeat steps 6 through 8, allowing a longer period before releasing gas control dial.
    - If gas control knob does not pop up when released, stop and immediately call your service technician or gas supplier.
    - If the pilot will not stay lit after several tries, turn the gas control knob to "Off" and call your service technician or gas supplier.
  9. Turn gas control knob counter-clockwise ↻ to "On" position.
  10. Turn HI-LO burner control knob to desired setting.
  11. Close bottom grill and turn on the burner switch
  12. Turn on all electric power to the appliance.
  13. Set thermostat to desired setting, if applicable.
- Note: Sufficient time must be allowed for air to escape from lines if the unit is being lit for the first time.

## TO TURN OFF GAS TO APPLIANCE

1. Set wall thermostat to lowest setting, if applicable.
2. Turn off all electric power to the appliance if service is to be performed.
3. Push in gas control knob slightly and turn clockwise ↻ to "Off". Do not force.



## FIRST FIRE

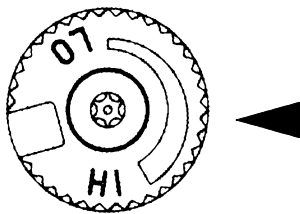
When lit for the first time, the appliance will emit a slight odour for a couple of hours. This is due to the curing of paints, sealants and lubricants used in the manufacturing process. This condition is temporary. Open doors and windows to ventilate area. Smoke and fumes caused by the curing process may cause discomfort to some individuals.

## OPERATING

The Estate Fireplace comes equipped with a millivolt combination gas valve. An optional wall thermostat may be installed to operate the burner automatically. Once a pilot light has been established, and the gas valve knob turned to the "ON" position, the unit may be operated one of two ways:

Fig. # 30

### Manual HI-LO Control Knob



### BURNER CONTROL

#### 1) Manual HI-LO Flame Adjustment:

The HI-LO burner control knob can be rotated in both directions, providing infinite control of gas flow rate to the burner and therefore greater comfort control. The HI setting provides a maximum gas input, and rotating the knob clockwise toward the LO setting will reduce the gas input to a minimum setting.

#### 2) Wall Thermostat (optional part # GASC.THERMO):

Set the wall thermostat to a comfortable temperature. Turn the HI-LO burner control knob to a desired setting. As heat is required, the fireplace will turn on or off automatically.

#### Extend Shutdown:

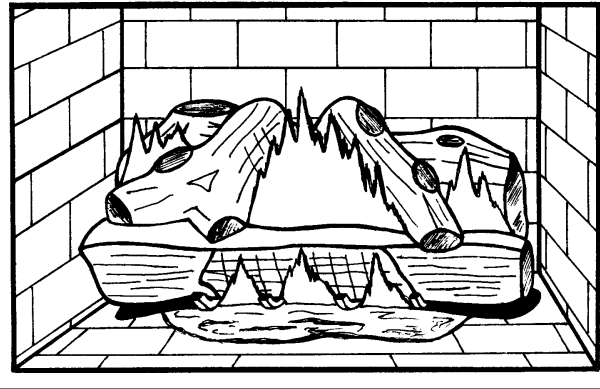
To shutdown the appliance including the pilot, partially depress and turn gas control knob clockwise past "PILOT" to "OFF" position. DO NOT FORCE.

NOTE: The SIT control has an interlock device which does not allow the pilot to be lit when the appliance is at operating temperature. Let the appliance cool down (approx. 60 sec.) before attempting to relight the pilot. DO NOT use force to rotate the control knob.

## FLAME ADJUSTMENT

The air shutter on the burner venturi tube controls the primary combustion air to the gas burner. Some adjustment may be necessary to obtain desired flame and to eliminate carbon deposits. (See Fig. # 31 for proper flame pattern)

Fig. # 31

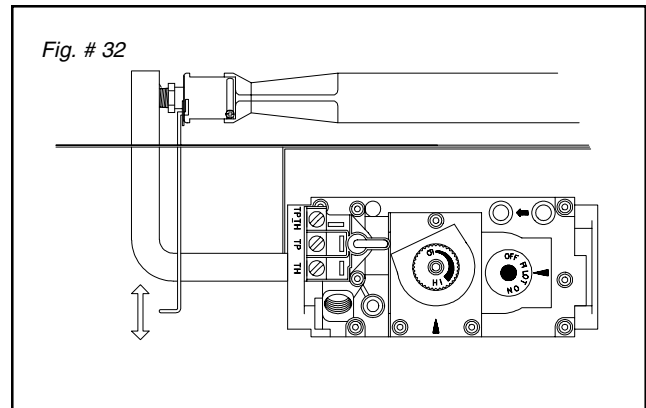


**Caution: Firebox side may be hot!**

**To Adjust:** (See Fig. # 32)

- 1) Fold down the bottom louver to expose the control valve. Locate the primary adjustment rod next to the valve.
- 2) Move air shutter adjustment rod up and down until proper flame is achieved.
- 3) Close bottom louver.

Fig. # 32



**Caution: Proper air shutter setting is a must.**

The flame should be just orange and "lazy". It should NEVER be set to create sooting on internal parts and glass. Open air shutter (pull rod down) gradually until sooting stops.

## REPLACEMENT PARTS

Fig. # 33

(WHEN ORDERING, INCLUDE PART NUMBER WITH DESCRIPTION)

ITEM DESCRIPTION	PART NO.	ITEM DESCRIPTION	PART NO.
1 ..... MAIN BODY .....	MP1700.0	10 ..... OVERLAY BRASS TRIM SET (2 pc.) .....	ESTD.1756
2 ..... BURNER ASSEMBLY .....	ESTD.NAT/PRO	11 ..... LOUVER, TOP ASSEMBLY .....	ESTD.1719_ _
3 ..... PANEL, RIGHT OR LEFT SIDE .....	5098.54	12 ..... LOUVER, BOTTOM ASSEMBLY .....	ESTD.1721_ _
4 ..... PANEL, BACK .....	5098.53	13 ..... FRONT FACING FRAME .....	ESTD.1714
5 ..... EMBER BASE .....	5098.4	14 ..... OPTIONAL BLOWER KIT .....	ESTD.BLOB
6 ..... REPLACEMENT GLASS .....	5034.3		
7 ..... WINDOW GASKET KIT .....	ESTD.50671	..... LOG, FRONT ( <i>not shown</i> ) .....	5098.91
8 ..... GLASS FRAME .....	1726.0	..... LOG, BACK ( <i>not shown</i> ) .....	5098.92
9 ..... OVERLAY TRIM		..... LOG, TOP LEFT ( <i>not shown</i> ) .....	5098.93
..... Standard .....	ESTD.STDO	..... LOG, TOP RIGHT ( <i>not shown</i> ) .....	5098.94
..... Radiant, Porcelain .....	ESTD.ROP_ _		
..... Radiant, Met. Black .....	ESTD.ROMBK		
..... Radiant, Polished Brass .....	ESTD.ROBRA		

All parts may be ordered from your nearest Pacific Energy Gas Stove dealer. Contact Pacific Energy for the location of the dealer nearest you.

When ordering Overlays and Louvers, please specify the appropriate finish code. Codes are as follows:

Porcelain Finish Black ..... BK Blue ..... BE Green ..... GN Ivory ..... IV Red ..... RD	Paint Finish Metallic Black ..... BK Plated Finish Brass ..... BRA
---	---

**-notes-**

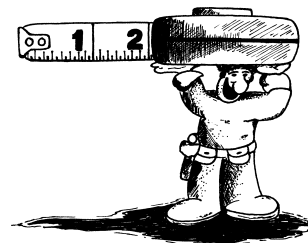
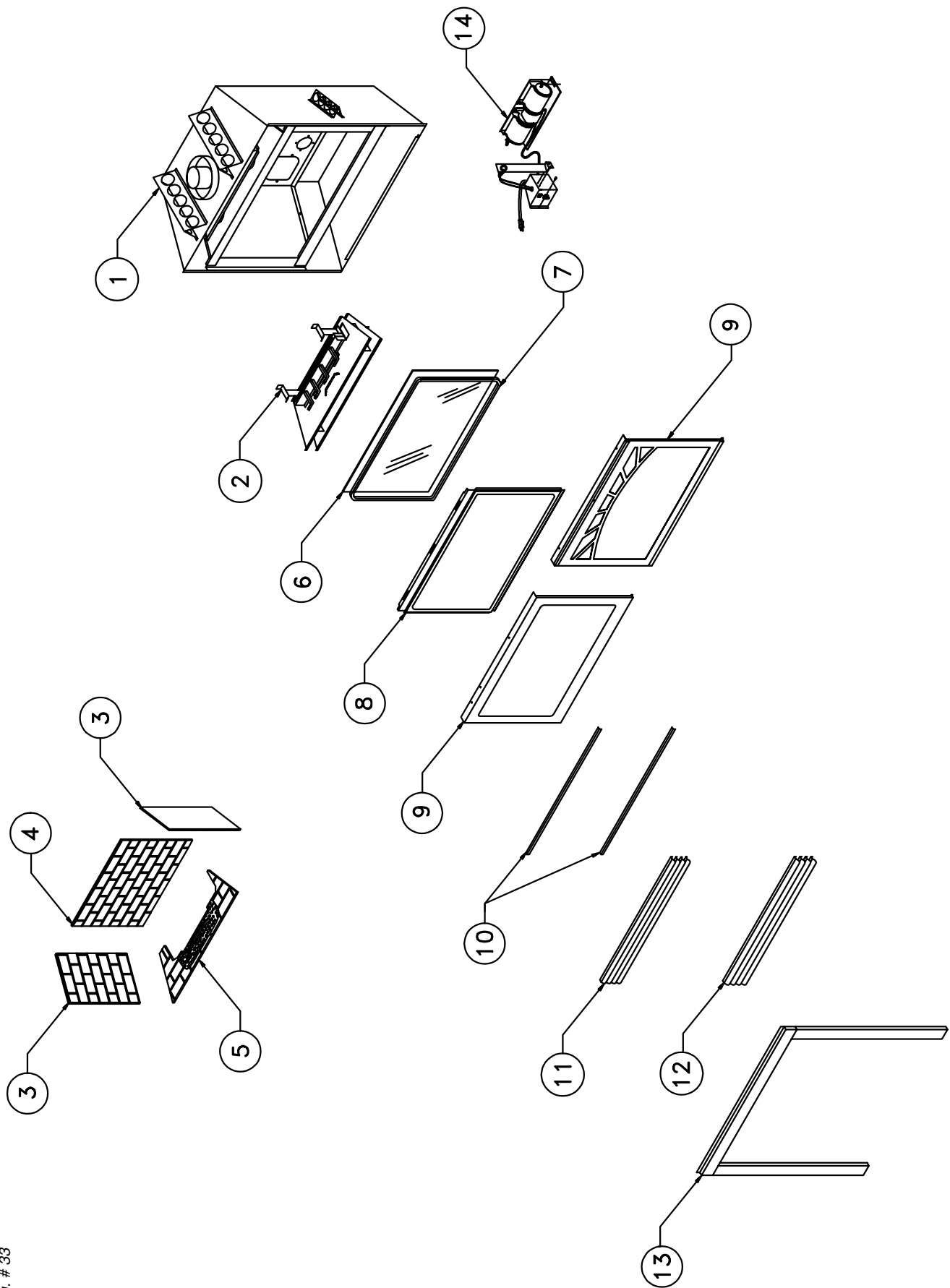


Fig. # 33



# APPENDIX A

*The Estate*

## Louver Installation Guide

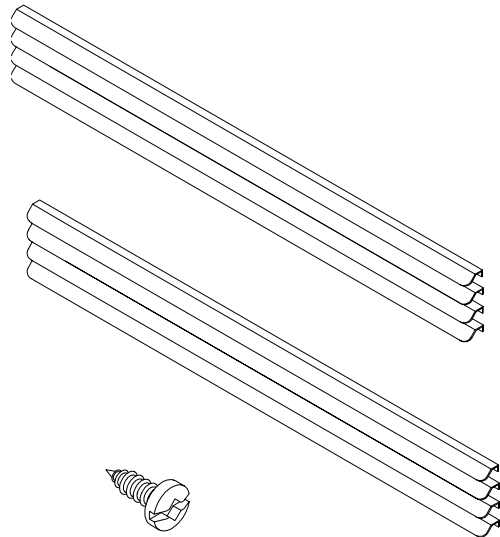
Metalic Black	ESTD.BKLVR
Brass	ESTD.BRLVR
Black	ESTD.PBKLVR
Blue	ESTD.PBELVR
Green	ESTD.PGNLVR
Ivory	ESTD.PIYLVR
Red	ESTD.PRDLVR

### This kit contains:

1 .....Top Louver

1 .....Bottom Louver

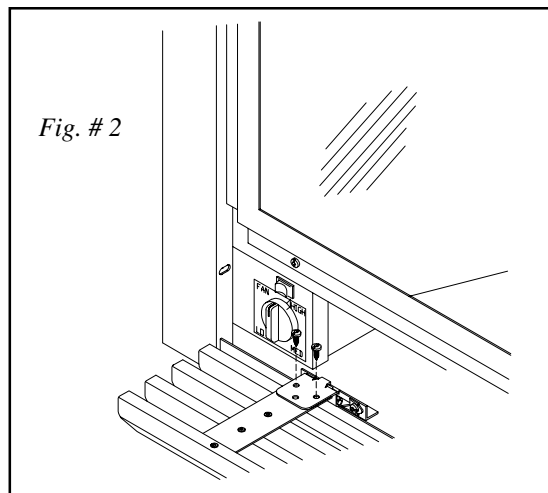
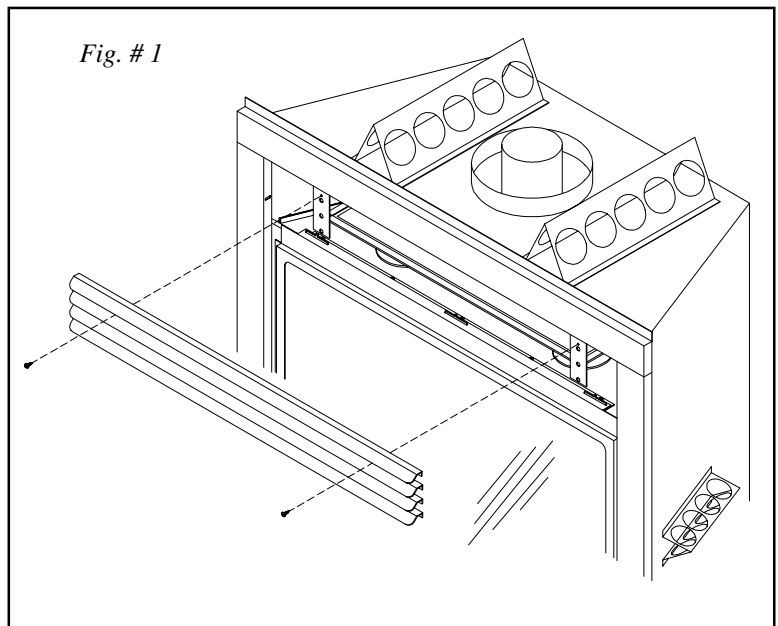
6 .....#8 x 1/2" sheet metal screws



### Installation

Unpack and inspect all parts. A flathead or a #2 Robertson screwdriver is required to install the louvers.

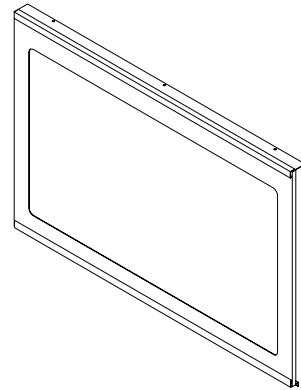
- 1) Fasten top louver to the top brackets with the screws provided. (see Fig. #1)
- 2) Fasten bottom louver to the hinge brackets at the bottom of the appliance. (see Fig. #2)



### This kit contains:

1 .....Standard Overlay

Metallic Black ESTD.STDO



1 .....Radiant Overlay

Porcelain Enamel

Black ESTD.ROPBK

Blue ESTD.ROPBE

Green ESTD.ROPGN

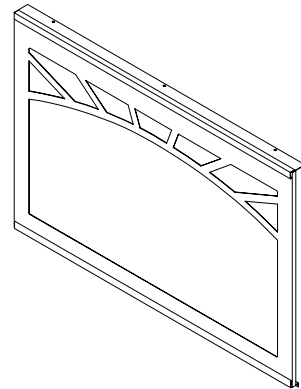
Ivory ESTD.ROPIY

Red ESTD.ROPRD

Metallic Black ESTD.ROMBK

Polished Brass ESTD.ROBRA

or

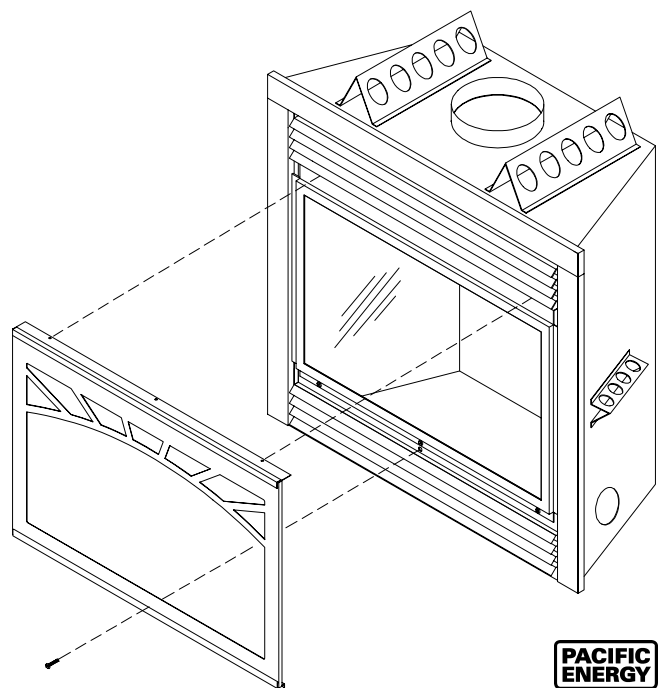


## Installation

Unpack and inspect all parts. A flathead or a #2 Robertson screwdriver is required to install this kit.

The Overlay kit may be installed before installing the top and bottom louvers.

- 1) Fold down the bottom louver to access the retaining screw just below the glass.
- 2) Using a flathead or a #2 Robertson screwdriver, remove the retaining screw.
- 3) Hook the overlay over the three posts on top of the glass frame.
- 4) Swing the bottom into place and fasten with the screw previously removed.



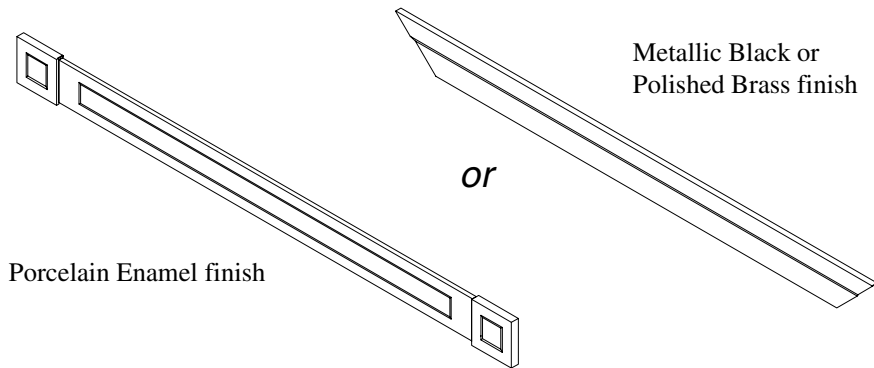
This Installation Guide covers the following kits:

Metallic Black ESTD.FTMBK  
Polished Brass ESTD.ROBRA

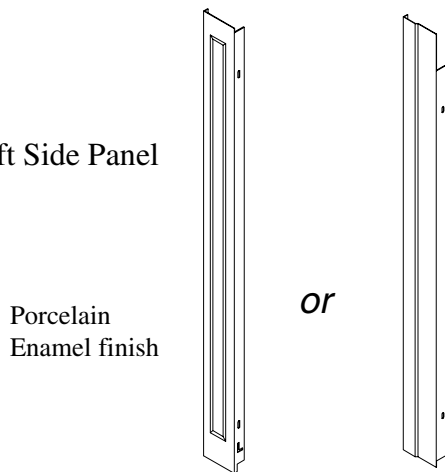
Porcelain Enamel Black ESTD.FTPBK  
Blue ESTD.FTPBE  
Green ESTD.FTPG  
Ivory ESTD.FTPIY  
Red ESTD.FTPRD

This kit contains:

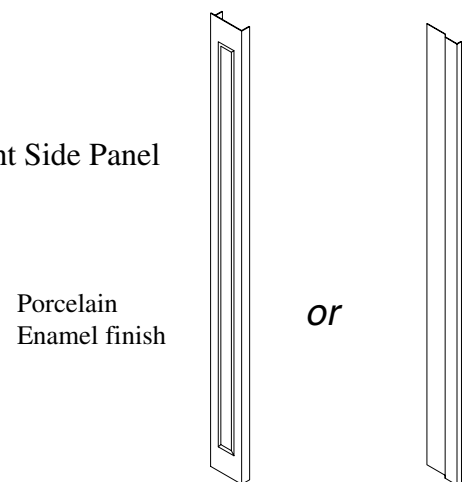
1 ..... Top Panel



1 ..... Left Side Panel



1 ..... Right Side Panel



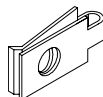
6 ..... #8 x 1/2" sheet metal screws



6 ..... Fibre washers

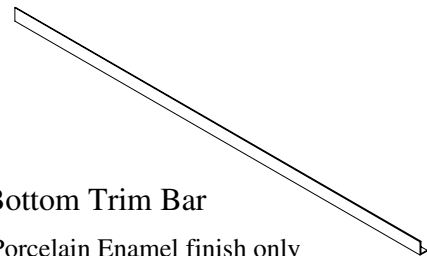


4 ..... Spring nuts



1 ..... Bottom Trim Bar

Porcelain Enamel finish only



# Installation

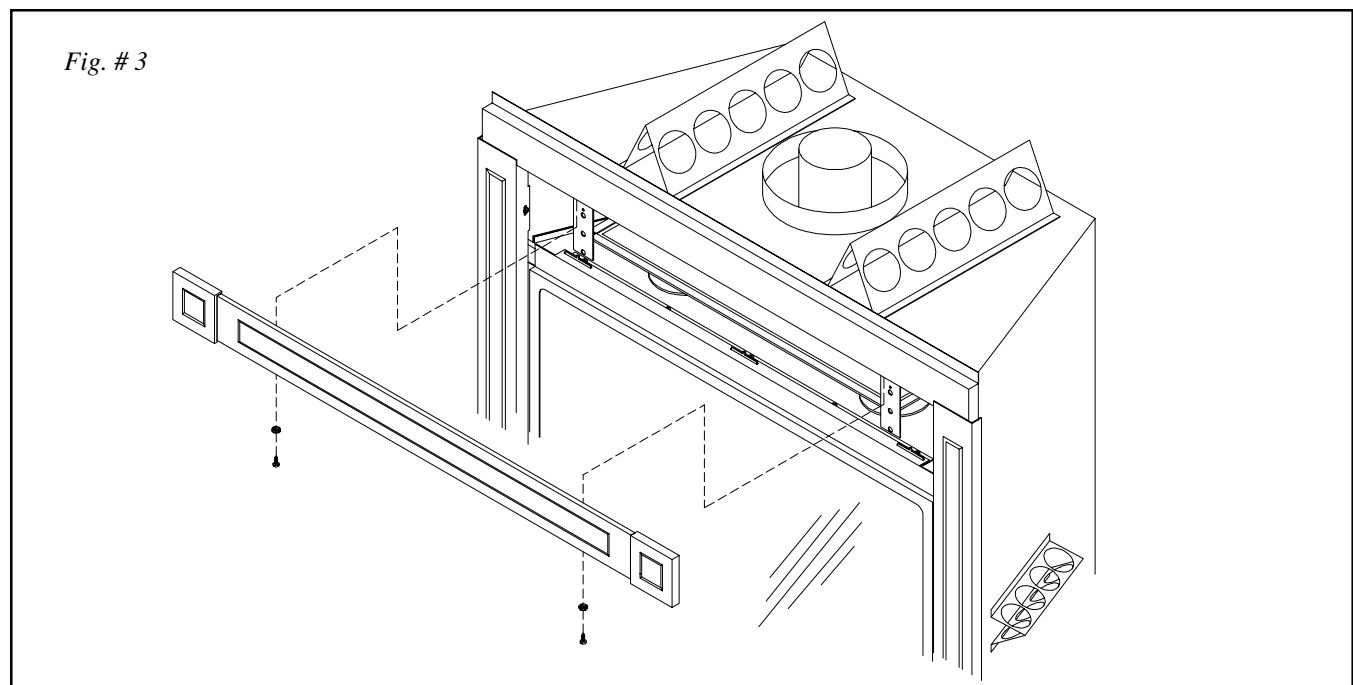
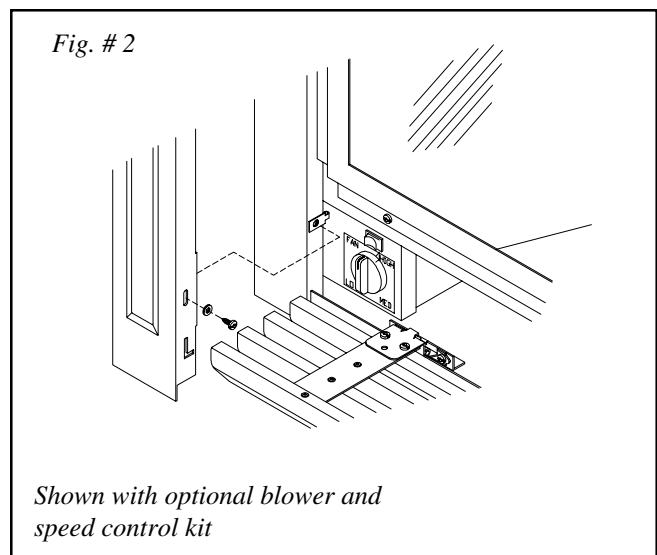
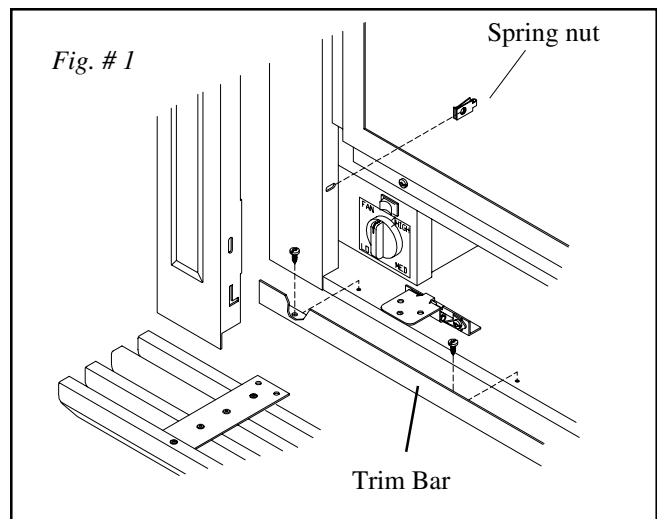
Unpack and inspect all parts. A flathead or a #2 Robertson screwdriver is required to install this kit.

The facing trim kit must be installed before installing the top and bottom louvers. If the louvers are not installed, proceed to step 3.

- 1) Fold down the bottom louver to access screws. Remove screws (4) attaching the louver to the hinge brackets. (see Fig #1)
- 2) Remove the two screws attaching the top louver in place. Gently remove the louver assembly and set it down in a safe location.

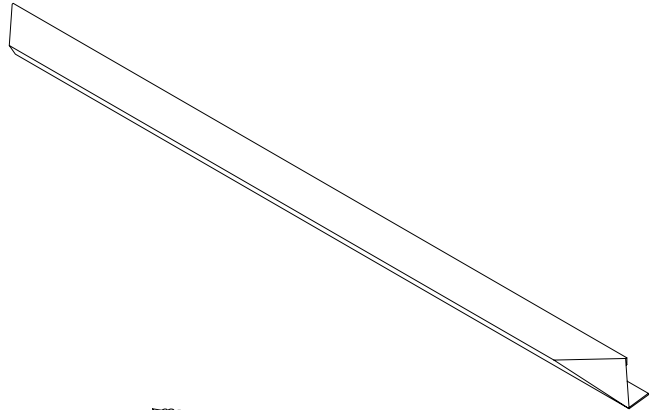
**(Porcelain Enamel Finish only)** The porcelain enamel finished kit is supplied with a colour-matched replacement bottom trim bar. Remove screws (5) attaching the bottom trim bar and replace with trim bar supplied with kit. (see Fig #1)

- 3) Slide the spring nuts (supplied) over the slotted holes in the outer frame. (see Fig. # 1)
- 4) Position the left and right side panels in place and fasten to the outer frame with #8 x 1/2" screws and fibre washers provided. The left side panel is marked with a small "L" punched out at the bottom corner. The right side panel is marked with a small round hole located at the bottom corner. (see Fig. # 2)
- 5) The trim may be adjusted up and down as well as in and out before tightening in place.
- 6) Position top panel trim with the square corners overlapping the sides panels and fasten in place with #8 x 1/2" screws and fibre washers provided. (see Fig. # 3)



**This kit contains:**

- 1 .....Estate Mantel Shield  
Metallic Black Finish      ESTD.MSMBK  
or  
Porcelain Enamel Finish  
    Black                      ESTD.MSPBK  
    Blue                        ESTD.MSPBE  
    Green                      ESTD.MSPGN  
    Ivory                       ESTD.MSPIY  
    Red                         ESTD.MSPRD



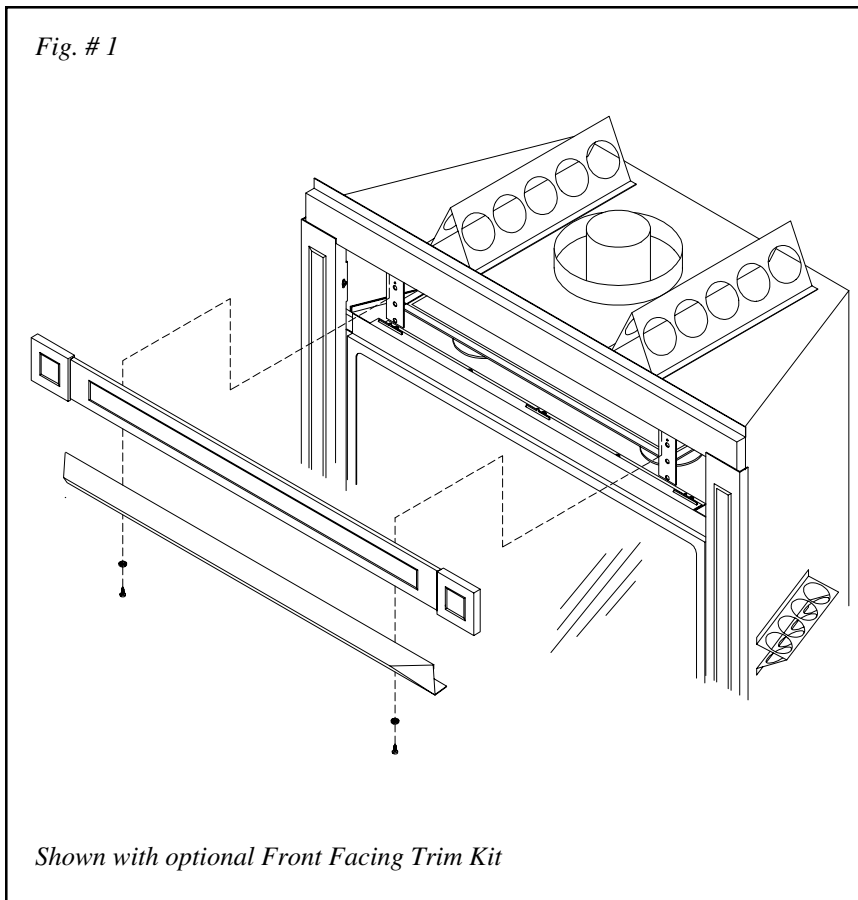
- 2 .....#8 x 1/2" sheet metal screws



- 2 .....Fibre washer



Fig. # 1



**Installation**

Unpack and inspect all parts. A flathead or a #2 Robertson screwdriver is required to install the mantel shield.

- 1) Remove the two screws holding the top louver in place. Gently remove the louver assembly and set it down in a safe location.

**With optional Front Facing Trim Kit:** Position the mantel shield under the top panel trim and fasten to the top outer frame with #8 x 1/2" screws and fibre washers provided. (see Fig. #1)

**Without optional Front Facing Trim Kit:** Position the mantel shield under the top outer frame of the Estate fireplace and fasten in place with #8 x 1/2" screws and fibre washers provided. (see Fig. #1)

- 2) Reinstall top louver.



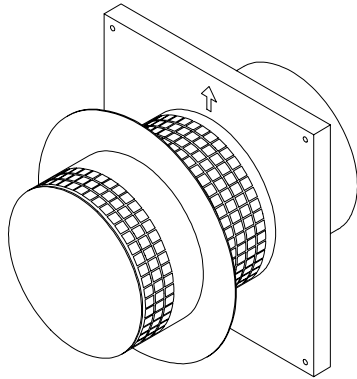
# Wall Termination Kit GASC.WALKIT



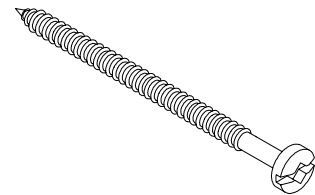
This vent kit is for use with model The ESTATE and PACIFIC ENCORE, series A fireplace only. Please refer to the Installation Instructions provided with the appliance for proper venting installation.

## This box contains:

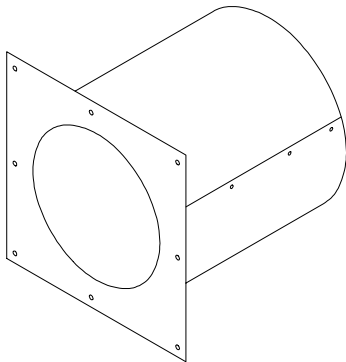
1 ..... Horizontal Vent Terminal



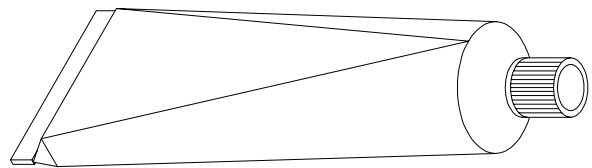
4 ..... #8 x 2 1/2" wood screws



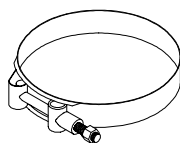
1 ..... Wall / Roof Thimble



1 ..... High Temperature Sealant



1 ..... 4 1/2" Pipe Clamp



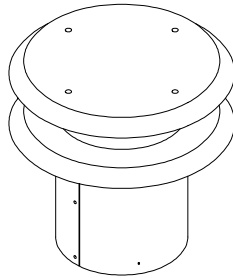
# Roof Termination Kit ESTD.ROTKIT



This vent kit is for use with model The ESTATE and PACIFIC ENCORE, series A fireplace only. Please refer to the Installation Instructions provided with the appliance for proper venting installation.

This box contains:

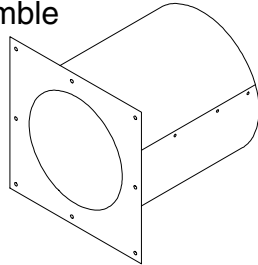
1 ..... Roof Vent Terminal



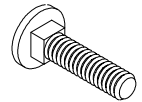
3 ..... #8 x 1/2" sheet metal screws (plated)



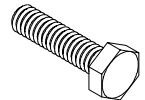
1 ..... Wall / Roof Thimble



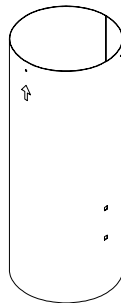
4 ..... 1/4" x 1" Carriage Bolt (plated)



1 ..... 1/4" x 1" Bolt (plated)



1 ..... Support Sleeve



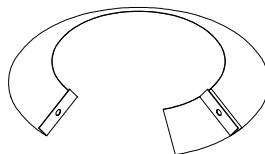
5 ..... 1/4" Nuts (plated)



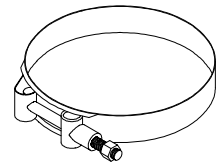
5 ..... 1/4" Flat Washers (plated)



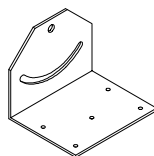
1 ..... Storm Collar



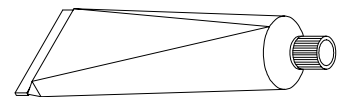
1 ..... 4 1/2" Pipe Clamp



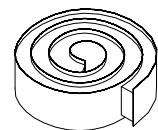
2 ..... Roof Brackets



1 ..... High Temperature Sealant



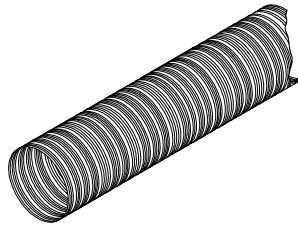
1 ..... Mastic



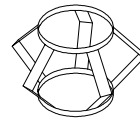
**This vent kit is for use with model The ESTATE, series A fireplace only. Please refer to the Installation Instructions provided with the appliance for proper venting installation.**

**This box contains:**

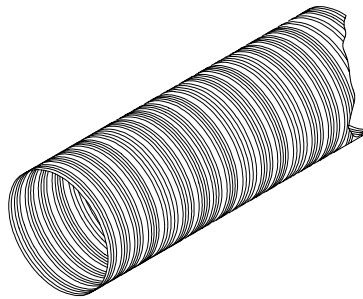
5' ..... 4" Flex Vent



3 ..... Pipe Spacer



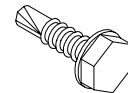
5' ..... 8" Flex Vent



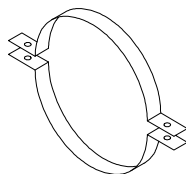
2 ..... #8 x 1/2" sheet metal screws



8 ..... #10 x 5/8" teks screws



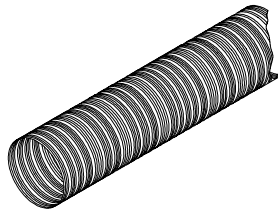
1 ..... Pipe Support Set (2 pc.)



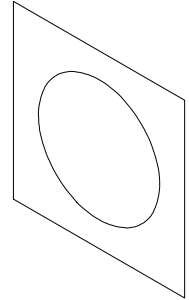
**This vent kit is for use with the model ESTATE, Series A fireplace only. Please refer to the Installation Instructions provided with the appliance for proper venting installation.**

**This box contains:**

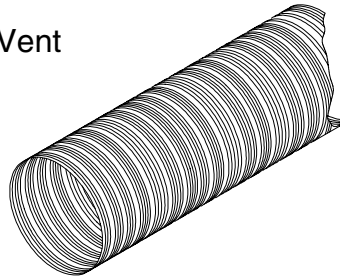
10' ..... 4" Flex Vent



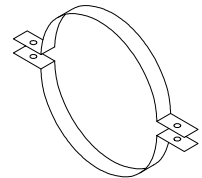
1 ..... Firestop



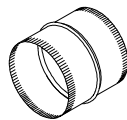
10' ..... 8" Flex Vent



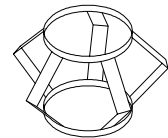
4 ..... Pipe Support Sets (2 pc.)



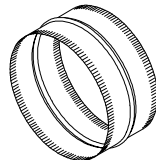
1 ..... 4" Vent Connector



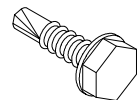
5 ..... Pipe Spacer



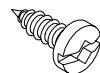
1 ..... 8" Vent Connector



8 ..... #10 x 5/8" Teks screws



8 ..... #8 x 1/2" sheet metal screws



# Safety Label

WH-

**WARNOCK HERSEY** Pacific Energy Fireplace Products Ltd.  
 Duncan, British Columbia, Canada  
 Certified for / Certifié pour  
 Canada and U.S.A.

**PACIFIC ENERGY**

WH-

REPORT NO. 476-1096 **MADE IN CANADA**  
 (JUNE 95) **FABRIQUE AU CANADA**  
 MODEL/ SERIES/  
 MODELE: **THE ESTATE** SERIE: **A**

FOR USE WITH/ EN CASE D'EMPLOI AVEC:	NATURAL GAS/ DU GAZ NATUREL	LP GAS/ DU GAZ LP
Minimum supply pressure / Pression minimum d'alimentation: (For the purpose of input adjustment / dans le but de régler l'alimentation) Manifold pressure / Pression de la tuyauterie:	5.0 in/wc / 5.0 po/c.e. (1.25 kPa) 3.8 in/wc / 3.8 po/c.e. (.95 kPa)	11.0 in/wc / 11.0 po/c.e. (2.74 kPa) 10.0 in/wc / 10.0 po/c.e. (2.49 kPa)
Orifice Size / Diametre de l'injecteur:	# 39 (2.53 mm)	1.45 mm
Input BTU/hr (kW) / Entree BTU/h (kW):	Max.: 30,000 (8.8) Min.: 15,000 (4.4)	Max.: 25,000 (7.3) Min.: 17,000 (5.0)
Output BTU/hr (kW) / Sortie BTU/h (kW): - Fan Off / Ventilateur Position Éteinte	22,500 (6.6)	19,000 (5.6)

## GRAVITY DIRECT VENT WALL FURNACE / RADIATEUR MURAL A ÉVACUATION DIRECTE PAR GRAVITE VENTED CIRCULATOR OPTIONAL FAN / CIRCULATEUR VENTILE VENTILATEUR OPTIONNELLES

ANS Z21.44a-1992 Direct Vent Wall Furn., CAN1-2.19-M81 Direct Vent Wall Furnace.,  
 CGA Interim Requirement #41 and #55, CAN/CGA 2.17-M19 Gas-Fired Appliance For Use At High Altitudes.

Optional components: Fan Kit (# ESTD.BLOB), Mantel Shield (# ESTD.MS\_\_\_) / Éléments facultatifs: Ventilateur  
 (#ESTD.BLOB), Bouclier du manteau (# ESTD.MS\_\_\_).

Blower electrical rating: 115v, 60hz, 0.5A / Normes electriques du ventilateur: 115v, 60hz, 0.5 A.  
 This appliance equipped for altitudes 0 - 4500 ft. (0 - 1372 m) / Cet unité est conçu pour des altitudes variant entre 0 - 4500  
 pieds (0 - 1372 m). Also certified for installation in a bedroom or a bedsitting room / Aussi certifié pour installation dans  
 une chambre à coucher ou une salle de séjour. This appliance must be installed in accordance with local codes, if any; if  
 not, follow the current CAN/CGA-B149 (Canada), or ANSI Z223.1 (USA). Cet appareil doit être installé conformément aux  
 exigences des codes locaux. S'il n'existe aucun code local, se conformer à la norme CAN/CGA-B149 en vigueur.

MANUFACTURED (MOBILE) HOME / FABRIQUEZ (MOBILE) MAISON: May be installed in Manufactured Homes after the "first  
 sale" - See Instructions. Pouvez être installés dans a Fabriqué des Maisons après le "première vente" - Voit des Directives.  
 Install in accordance with the current standard CSA Z240.4 GAS EQUIPPED RECREATIONAL VEHICLES AND MOBILE  
 HOUSING (in CANADA), and the Manufacturer's Home Construction and Safety Standard, Title 24 CFR, Part 3280 (in the  
 U.S.A.). Cet appareil diot être installé conformément aux exigences de la norme Z240.4 en vigueur de l'ACNOR,  
 Installations de gaz dans les Constructions Mobiles et Véhicules Récréatifs.

Only for direct discharge without duct connection. Pour sortie d'échappement directe sans gaine de distribution seulement.

MINIMUM CLEARANCES TO COMBUSTIBLES / CLAIRANCES MINIMALES AVEC LES COMBUSTIBLE		
Left and Right side are determined when facing the front of the appliance. / Les côtés droit et gauche se déterminent en se mettant devant l'appareil et en lui faisant face.		
Sidewall to Appliance / Du mur latéral a l'appareil	6 in./ 6 po.	(152 mm)
Ceiling to Appliance / Plafond a l'appareil	35 1/2 in./ 35 1/2 po.	(902 mm)
Mantel to Appliance / Du manteau al'appareil	17 in./ 17 po.	(432 mm)
Maximum Mantel Extension / Allongement maximum du manteau	12 in./ 12 po.	(305 mm)
Mantel Supports (Max. 3 1/2 in. Extension) / Supports du manteau (Max. 3 1/2 po. Extension)	0 in./ 0 po.	(0 mm)
Vent pipe / Tuyau du conduit	1 in./ 1 po.	(25 mm)

**WARNING:** Improper installation, adjustment, alteration, service or maintenance can cause injury or property damage.  
 Refer to the owner's information manual provided with this appliance. For assistance or additional information, consult a  
 qualified installer, service agency or the gas supplier.

300498

5050.71

1-ESTA-1

**Pacific Energy Fireplace Products Ltd.**  
**PO Box 1060, Duncan, B.C. V9L 3Y2**  
**Phone: 250-748-1184**  
**Web site: [www.pacificenergy.bc.ca](http://www.pacificenergy.bc.ca)**

Printed in Canada